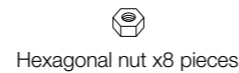
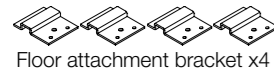


Attachment to wall

Components

Make sure that you have all of the necessary parts before assembling.



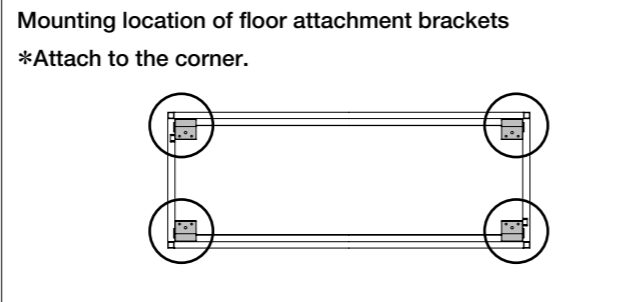
*The type of anchor nuts and bolts required for attaching to the floor will differ depending on the floor's material. Purchase separately.

Assembly Instructions

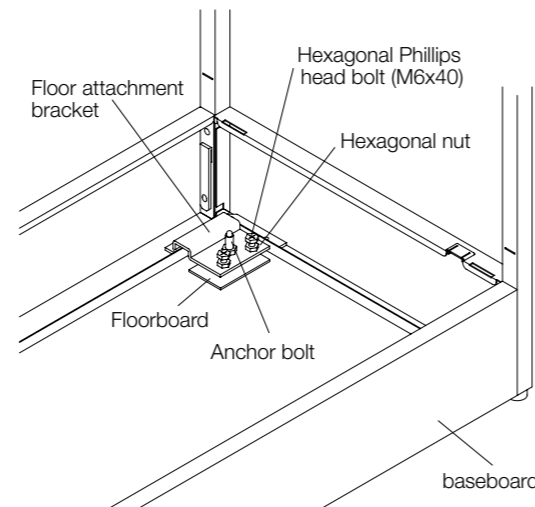
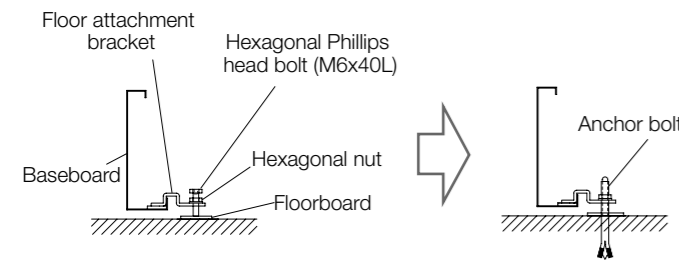
Follow the instructions to ensure proper assembly.

1 Method for attaching to floor

① Connect the floor attachment brackets to the corner of the baseboard and determine the attachment location.



- ② Use an oscillating drill to drill a hole into the floor where you plan on attaching, and attach the anchor bolt.
- ③ Set the washer on the anchor bolt and mount the frame unit.
- ④ Adjust the level of the frame unit, attach the hexagonal nut (for use with M6) to the hexagonal Phillips head bolt (M6x40L) and mount to the floor attachment brackets.
- ⑤ Adjust so that the bolt touches the washer and lock with the hexagonal nut.
- ⑥ Attach the anchor bolt attachment nut and attach.



Lastly...

Make sure of the following items when assembling is complete.

- Are bolts completely tightened?
- Are there any scratches, dirt, distortions or malfunctions?
- Are there any packaging materials or trash on the floor?

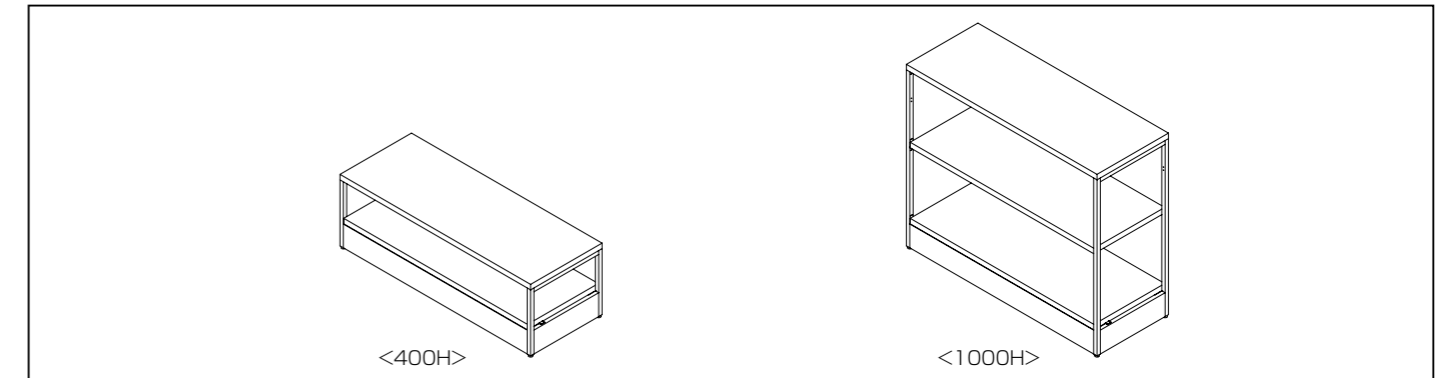
Lives shelf [Low type]

Shelf Unit

Assembly Guide

This guide will enable you to properly assemble and use <Lives Shelf>.
Read this guidebook thoroughly and fully understand its content before assembling the product.

Figure of completed assembly



Safety Instructions (Make sure to follow these instructions)

Caution This indicates that improper handling may cause injury or property damage.

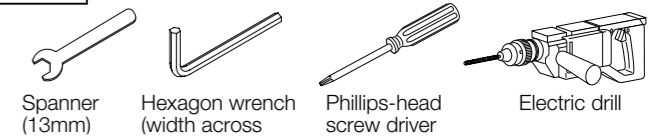
Caution

- Secure enough workspace before assembly. Failure to do so may cause injury.
- Assembly must be conducted by two or more people. Failure to do so may cause injury.
- Use specified tools for assembly. Improper assembly, such as not completely tightening screws, may cause damage to the product or cause the product to overturn resulting in injury.
- Take gloves off when using power tools. Gloves may get caught in tools causing injury.
- Be careful when handling the ends and backs of parts, and with the gaps between parts. Failure to do so may cause injury.

Assembly Preparations

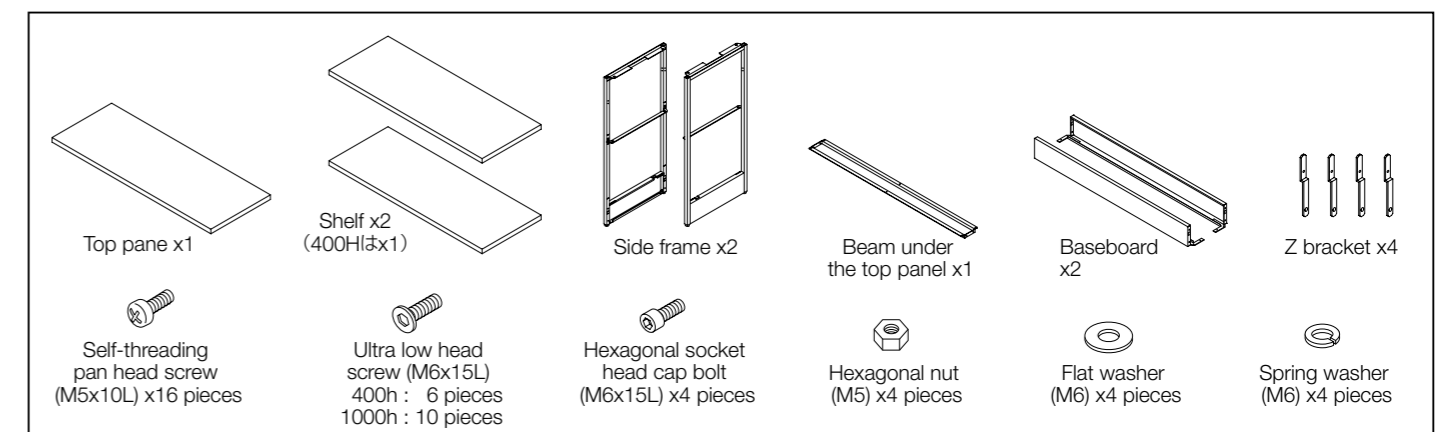
- Ensure that you have all the parts required.
- Prepare tools for assembly.
- When you inserting screws, lightly tighten before completely tightening them.
- Handle the product with care.

Tools



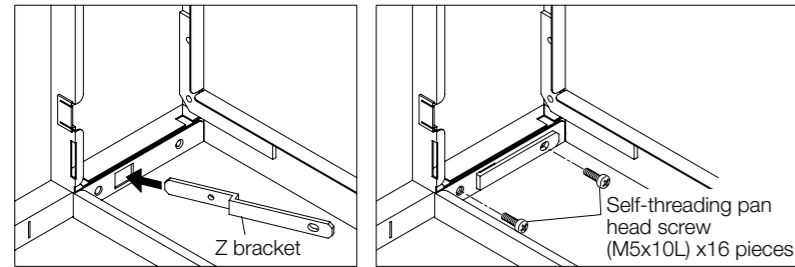
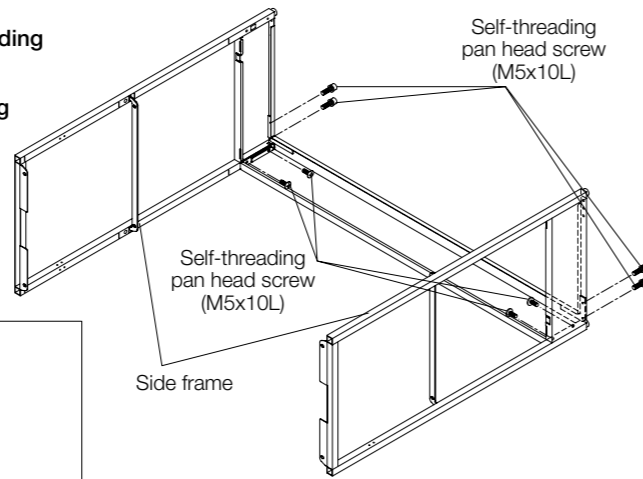
Components

Make sure that you have all of the necessary parts before assembling.



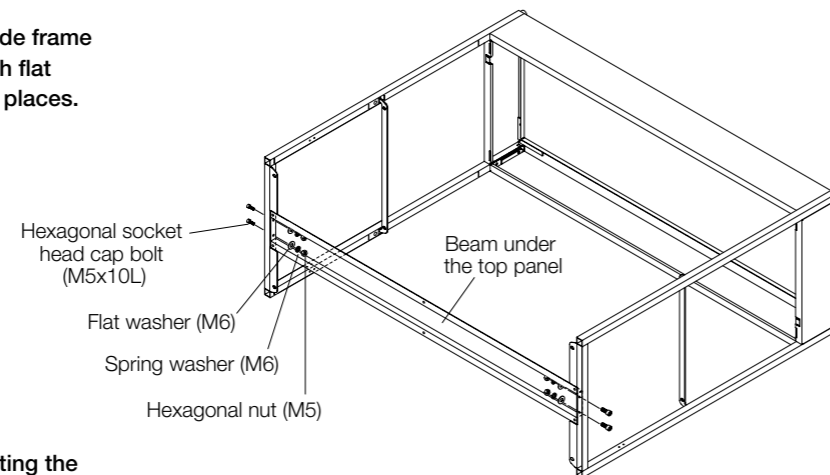
1 Frame assembly-1

- ① Place the side frame on its side and insert the baseboard.
- ② Attach from the under side of the baseboard using the self-threading pan head screw (M5x10L) in 4 places.
- ③ Insert the Z bracket into the slit, and attach using 2 self-threading pan head screws (M5x10L) per bracket.
- ④ Attach the opposite side's baseboard using the same method.



2 Frame assembly-2

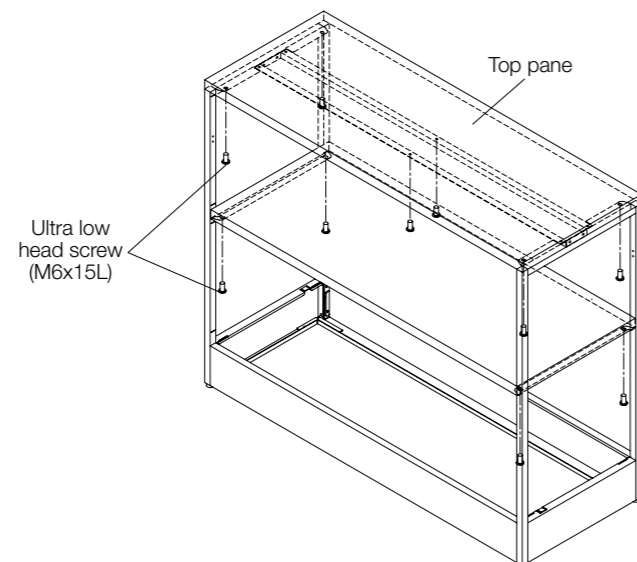
- ① Attach beam under the top to top part of side frame using hexagonal socket head cap bolts with flat washers (M5x10L) and hexagonal nuts in 4 places.



- * Determine layout and connect before mounting the shelf if you are connecting multiple units. (→P.2)
- * Mount the end panel after assembling the frame.

3 Assembly of top panel and shelf

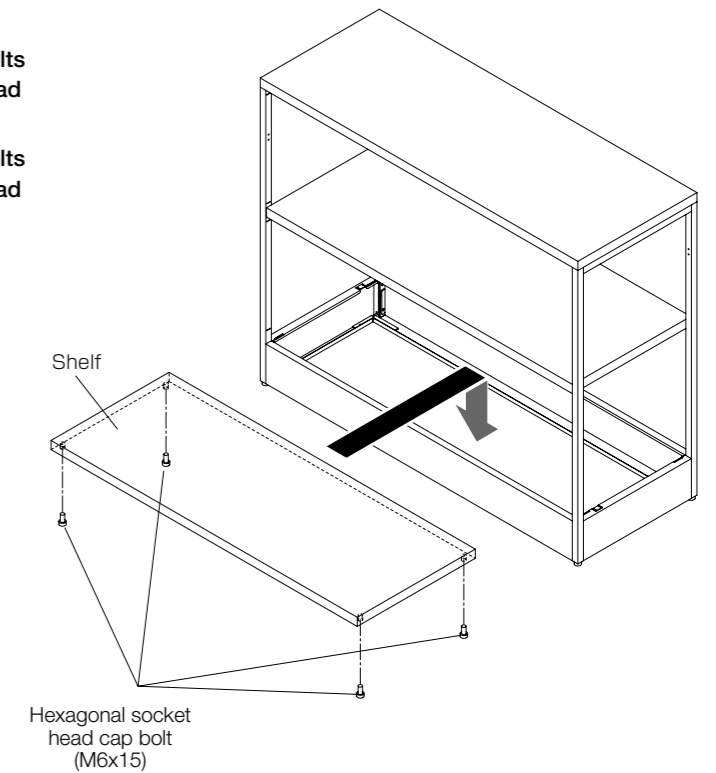
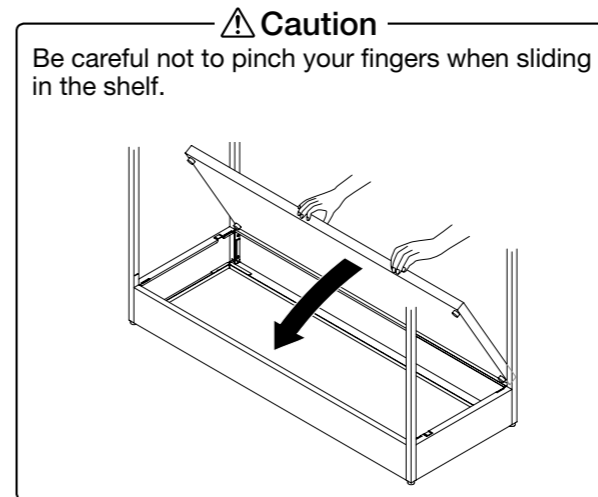
- ① Turn the frame over and attach top using ultra low head screws (M6x15L) in 6 places.
- ② Set the shelf on top of the bracket and attach using ultra low head screws (M6x15L) in 4 places. (Other than 400H)



- * Hold together firmly to ensure that there are no gaps between the side frame and the shelf.


4 Mounting the (base) shelf

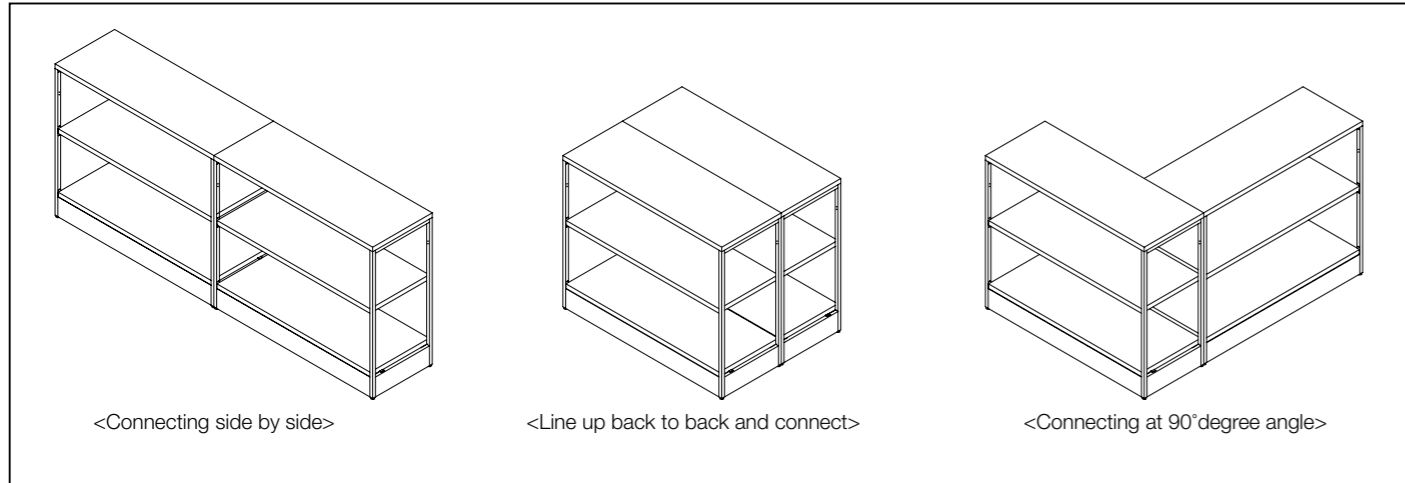
- ① Mount base to shelf with hexagonal socket head cap bolts (M6x10) in 4 places, and slide in the shelf so that the head of the screw fits inside the baseboard.
- ② Mount base to shelf with hexagonal socket head cap bolts (M6x10) in 4 places, and slide in the shelf so that the head of the screw fits inside the baseboard.




Connecting

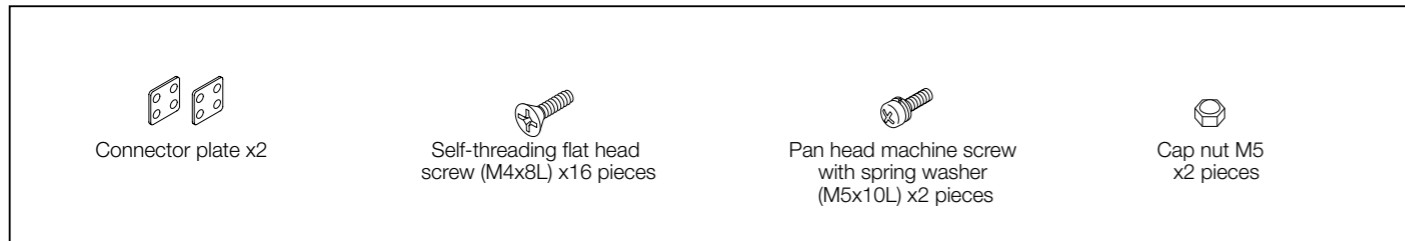
Assembly Instructions

Follow the instructions to ensure proper assembly. 




Components

Make sure that you have all of the necessary parts before assembling. 



Assembly Instructions

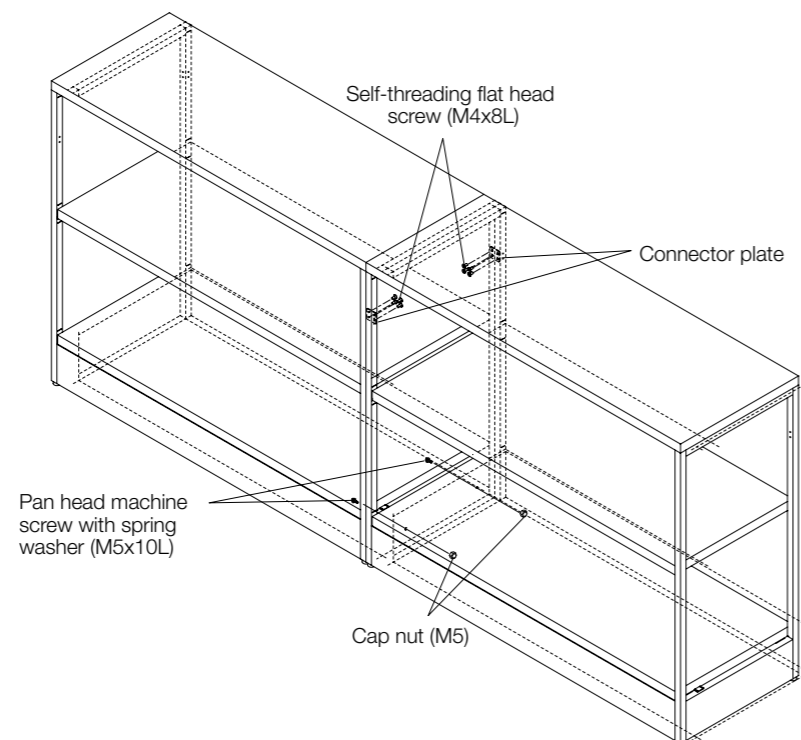
Follow the instructions to ensure proper assembly. 

1 Method for connecting

- * The baseboard of the unit has half-punched holes. Fully open the holes in the attachment areas.
- * Only connect the base portion if 400H.


<Connecting side by side>

- ① Attach the baseboard using using the round machine screws with flat washers (M5x10) and cap nuts in 2 places.
- ② Attach the side frame using the connector plate in 2 places. (Self-threading flat head screw (M4x8) 4 places)



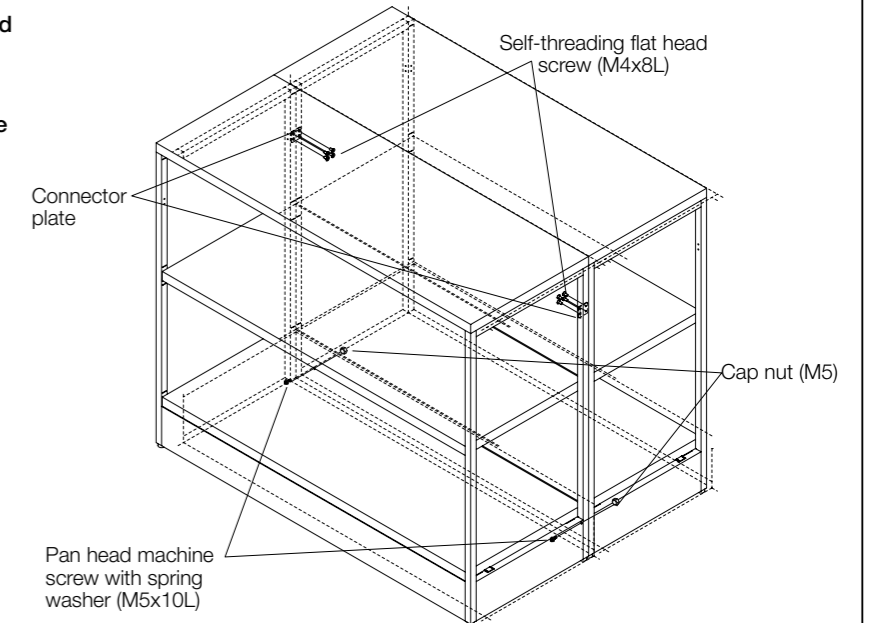
Connecting

Assembly Instructions

Follow the instructions to ensure proper assembly. 

<Line up back to back and connect>

- ① Attach the baseboard using using the pan head machine screw with spring washer (M5x10L) and cap nuts in 2 places.
- ② Attach the side frame using the connector plate in 2 places. (Self-threading flat head screw (M4x8L) 4 places)



<Connecting at 90° degree angle>

- ① Attach the baseboard using using the pan head machine screw with spring washer (M5x10L) and cap nuts in 2 places.
- ② Attach the side frame using the connector plate in 2 places. (Self-threading flat head screw (M4x8L) 4 places)

