

Creative Furniture

Lives

【shelf】

Instructions for Use



OKamura

OKAMURA CORPORATION
International Sales & Marketing Div.
<https://www.okamura.com>

GXC291/2020-09

OKamura

Safety Instructions (Make sure to follow these instructions)

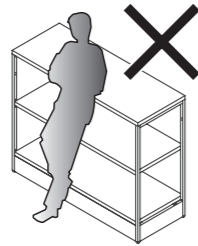
⚠ Caution

Do not handle roughly, or use improperly. Failure to follow the safety precautions cause injury or damage to the product may.

⚠ Caution

Do not handle roughly, or use improperly. Failure to follow the safety precautions cause injury or damage to the product may

- Do not use this shelf as a step stool.
- Do not stand on or lean to this product. Failure may cause you to fall and get injured.



- Do not hang on to the frame, panel, etc. of the product. Failure may cause damage to the product resulting in injury.
- Do not apply excessive power from the inside or outside to the panel. Failure may cause damage to the product.

Do not put your fingers or hands into the spaces of the product. This may lead to injuries.

Pay attention to the following when moving or housing the shelf units for layout change, etc.

- Two or more persons shall be assigned to hold and move the body.
- When you change the layout, make sure to contact the retail outlet where you purchased the product or our official dealers since the product may not be able to stand by itself depending on the layout.

Do not disassemble or repair on your own.

- Do not attempt to disassemble or repair the product yourself. Please contact our official dealers when needed.
- If found any loose bolts or screws, do not use the product. Failure may cause damage to the product and result in injury.

Do not reconfigure. This leads to malfunction or accident.

- Reconfiguring by yourself causes the product to malfunction or accident. Okamura will have no responsibility for any disadvantages caused by remodeling.
- If you need remodeling, contact our official dealers beforehand.

Do not load anything more than the maximum loading capacity of the product. It may cause you to fall or damage to the product.

Loading part	Maximum loading capacity
worktop, Shelves	30kg(66 lb) (uniformly distributed weight)

*What is "Uniformly distributed weight" ?

It means to load on a work surface, etc. evenly. Uneven loading on the product may cause balance loss and thus drop or fall.

Installation

Please follow instructions below. Failure may cause serious damage to the product and Okamura will have no responsibility for any damages.

Indoor use only.

- No outdoor or waterfront use.

Avoid high temperature, high humidity, or extraordinary aridity.

- Do not place product under heater or airconditioner exhausting high temperature air.

Avoid direct sunlight

- When placing alongside windows, use curtains or blinds to avoid direct sunlight.

Do not place on uneven floor.

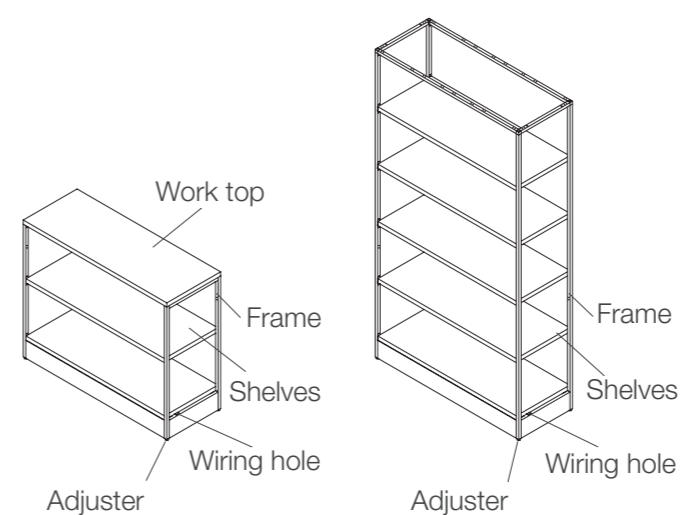
- Make sure to place the product on an even floor when using. Failure may cause the product to deform or to be damaged.

Appropriate Ventilation Measures

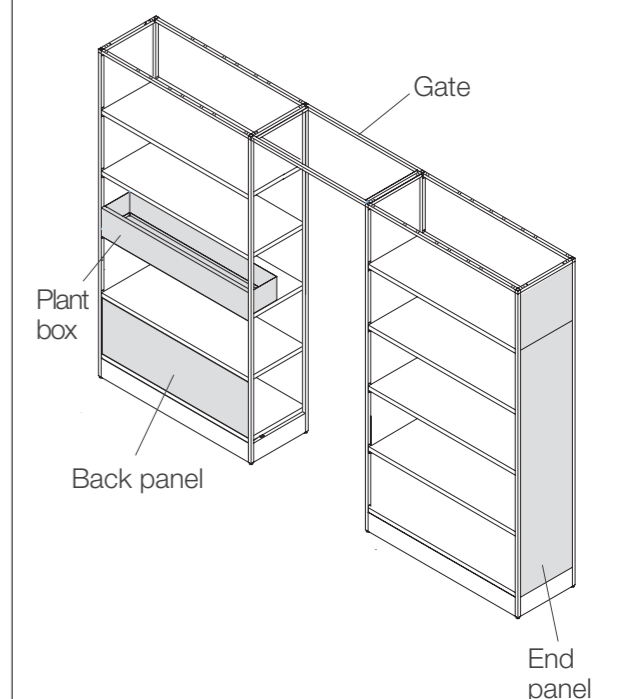
- Many chemical substances will be released by the product when it is first purchased. Sufficiently ventilate or expose the product to moving air for some time after purchasing it.
- Do not completely close windows when using the product in rooms with conspicuously high temperatures/ humidity (the benchmarks for these are temperatures in excess of 28°C (82.4°F) and relative humidity in excess of 50%).

Parts Name

■ Shelf Unit



■ Option



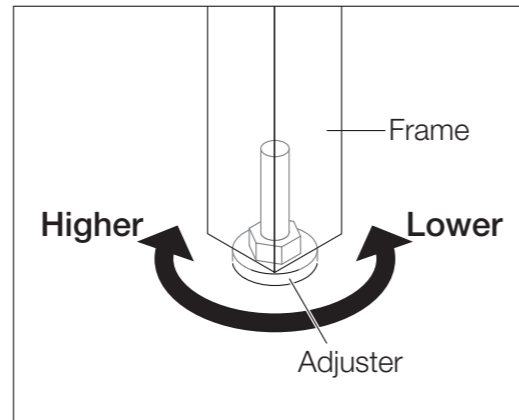
Operation Guide

■ Adjuster operation

The product height can be adjusted within the range of 0 to 20 mm by rotating the adjusters at the bottom of the body. When installing the product, operate the four adjusters to keep it horizontal.

⚠ Caution

Be sure to perform height adjustment with more than two people using extreme caution so as to prevent your hands and fingers from getting caught.

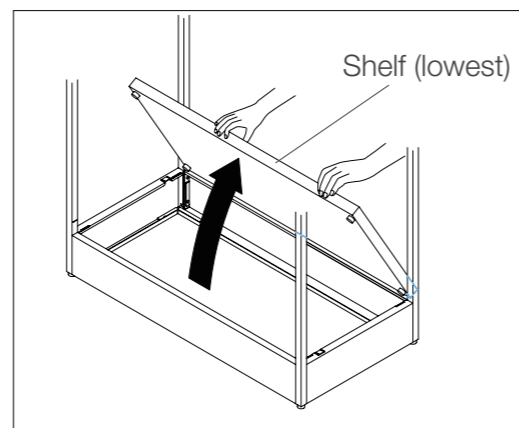


■ Wiring

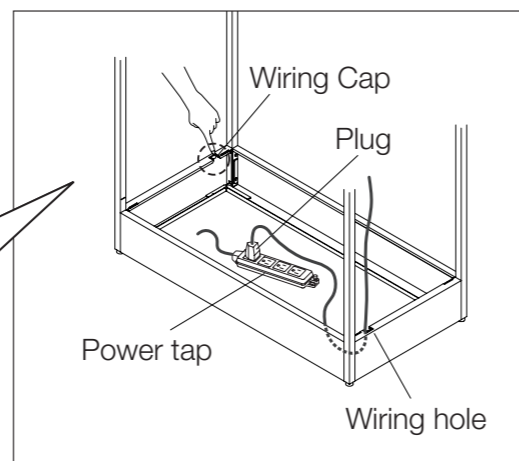
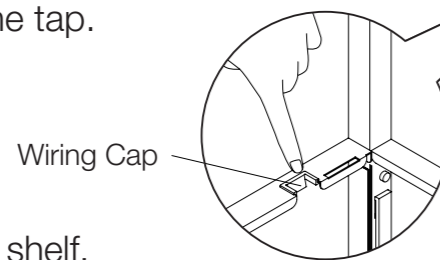
In case of an office floor, wires can be raised from the lower portion of the frame unit. Install a power tap in advance.

[Wiring procedure]

① Remove the lowest shelf.



② Fully push the wiring cap into the wiring hole so that the hole will be open. Insert your plug into the power tap installed inside. Pass the cord extending from the plug into the wiring hole. Make sure the plug is firmly inserted into the tap.



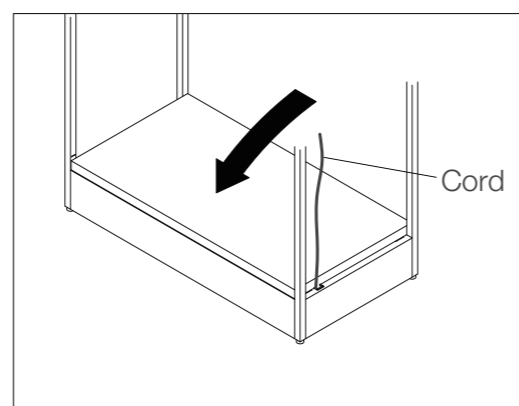
③ Re-attach the shelf.

⚠ Caution

When lowering the shelf, be careful not to have your fingers caught between the shelf and the frame.

⚠ Warning

When lowering the shelf, be careful not to damage the cord. Failure may damage the cord to cause a fire or electric shock.



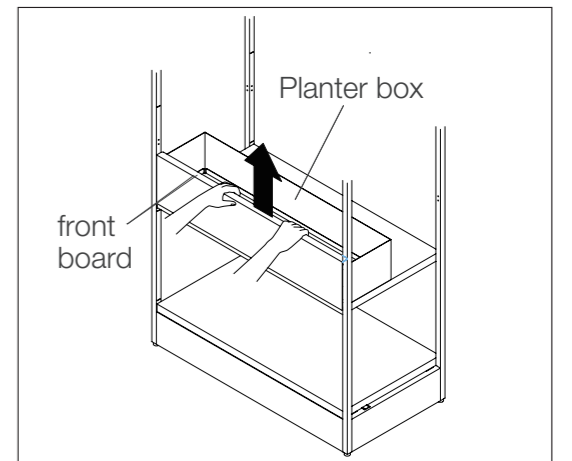
Operation Guide

■ Planter box (option)

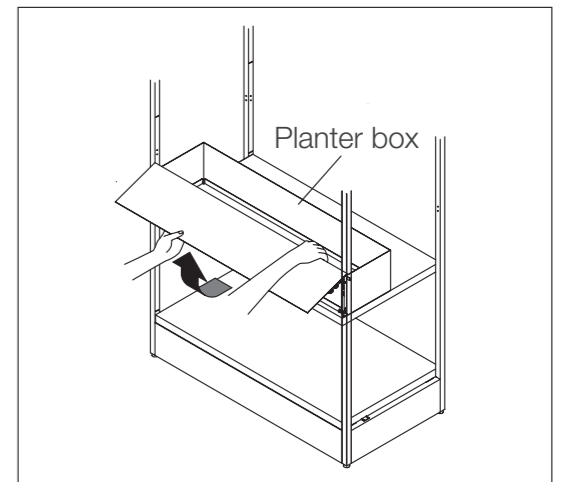
- The planter box does not come with any plants. Use our Interior Green Small-Pot Series products available separately or your prepared artificial plants.
- For this product, we recommend artificial plants.
- If water is splashed onto the body, immediately wipe it off with a dry, soft cloth. If the body is left wet for a long time, it may rust.

[Removing the front board]

① Hold and lift the front board by both hands.

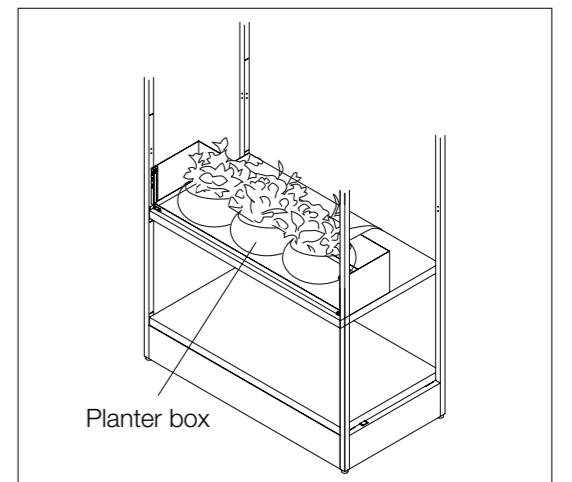


② While rotating and pulling the lower portion of the front board toward you, remove the board.



③ Put plants in the planter box.

When re-attaching the front board, carry out the above steps ① and ② in the reverse order.

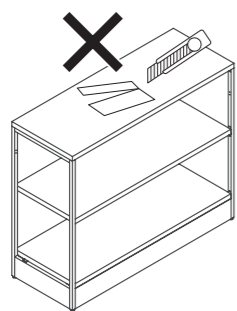


Instructions to Extend the Life of Product

Please follow instructions below. Failure may cause serious damage to the product and Okamura will have no responsibility for any damages.

Operating Precautions and Maintenance

- If the product has become unsteady due to loosening of the bolts or screws during use, retighten them immediately.
- Do not use any sharp-edged objects such as a knife on the worktop. Failure may damage the worktop.
- Avoid direct exposure to steam. Failure will cause rust.
- Wipe off any water on the product with a dry and soft cloth.
- Immediately wipe off tea, coffee, detergent, chemical, etc. if any spilled.
- This instruction manual is very important, so store it in an easily accessible location.
- Regular maintenance is recommended for long-life use. Make your request to us early for inspections and repairs (fees required) when the warranty period has expired.



For daily care

Steel part , Worktop

- Wipe off with a dry soft clean cloth.
- If dirt is noticeable, wipe it off with a well wrung soft cloth moistened with thin neutral detergent. Be sure to remove detergent completely with a damp cloth and wipe again with a dry cloth to dry it.

<Caution>

- Do not leave any water on the worktop. Do not use a chemical cloth or an organic solvent such as thinner and benzene. Please note that the product with its color or texture deteriorated cannot be restored to its original state.

Resin part

- Wipe with a well wrung soft cloth moistened.
- If dirt is noticeable, wipe it off with a well wrung soft cloth moistened with thin neutral detergent. Be sure to remove detergent completely with a damp cloth and wipe again with a dry cloth to dry it.

Materials and Surface Finish

Shelf Unit

Part		Materials	Surface Finish	
Structure	Flame	Steel	Amino-alkyd resin coating or polyester coating	
	Wiring Cap	polypropylene	—	
	Wooden worktop	Core material	MDF(Medium Density Fiberboard)	—
		Surface materials	Melamine resin	—
		Coaming	PVC(Polyvinyl chloride)	—
Steel worktop	Body	Steel	Amino-alkyd resin coating or polyester coating	
Back panel (Option)	Surface materials	Polyester	—	
	Core material	Plywood, MDF	—	
	取付金具	Steel	Amino-alkyd resin coating or polyester coating	

Gate , Plant box , End panel

Part		Materials	Surface Finish
Structure	Body	Steel	Amino-alkyd resin coating or polyester coating

* Please understand that product specifications might change without prior notification due to improvements made to the product.