

Materials and Surface Finish

■Desk

	Part	Materials	Surface Finish
Desktop	Surface materials	High pressure laminate (Melamine resin, Phenolic resin, Paper)	—
	Core material	Steel	Amino-alkyd resin coating or polyester coating
		styrole resin	—
	Coaming	ABS resin	—
Leg	Body	Steel	Amino-alkyd resin coating or polyester coating
	Adjuster	polypropylene	—
Back panel	Body	Steel	Amino-alkyd resin coating or polyester coating
Wiring Duct	Body	Steel	Amino-alkyd resin coating or polyester coating
	Duct cover	ABS resin	—

■Option

	Part	Materials	Surface Finish
Vertical Wiring Duct	Body	Steel	Amino-alkyd resin coating or polyester coating
	Side Cover	Steel	Amino-alkyd resin coating or polyester coating
Felt Case	Case (non-woven fabric)	PET resin	—
	Mounting bracket	Steel	Amino-alkyd resin coating or polyester coating
Spacer	Body	Steel	Amino-alkyd resin coating or polyester coating

■Panel

	Part	Materials	Surface Finish
Cloth panel	Surface materials	polyester	—
	Core material	plywood	—
Mounting bracket	Body	Steel	Amino-alkyd resin coating or polyester coating

*Please understand that product specifications might change without prior notification due to improvements made to the product.

Office Desk

SOLISTE

【Desk·Option】

Instructions for Use



OKAMURA

OKAMURA CORPORATION

International Sales & Marketing Div.

<https://www.okamura.com>

GXC524/2020-11

OKAMURA

Safety Instructions (Make sure to follow these instructions)



Caution Do not handle roughly, or use improperly. Failure to follow the safety precautions cause injury or damage to the product.may

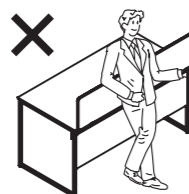
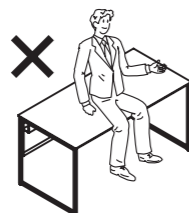
Caution

Do not handle roughly, or use improperly. Failure to follow the safety precautions cause injury or damage to the product.may

- Do not step/stand on the desk . Failure may cause you to fall and get injured.
- Do not place any dangerous objects (a fragile article, chemical, living thing, etc.) on the desk.
- Gently place objects on the desktop if it is necessary.

Be careful of the following items since it may cause injury or damage the product.

- Do not lean on to or sit on the body.
- Do not place any heavy objects on the corner of the desk.
- Do not hang on or lean on to the panel Failure may cause damage to the product or you to fall and get injured.

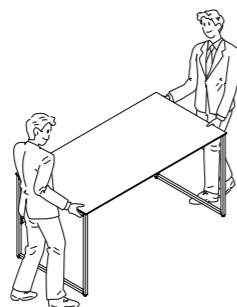


Do not put your fingers or hands into the spaces of the product. This may lead to injuries.

- When housing a wagon under the desktop, be careful not to get hands or fingers caught between the wagon and the desktop.

Pay attention to the following when moving the desk for layout change, etc.

- Do not move the desk with any objects on the desktop.
- Two or more persons shall be assigned to hold safe areas in the lower portion of the desk and move the desk.



- For adjuster operation, two or more persons shall be assigned as a group to firmly support the desk not to get hands or feet caught between the desk and the floor.

Do not disassemble or repair on your own.

- Do not attempt to disassemble or repair the product yourself. Please contact our official dealers when needed.
- If found any loose bolts or screws, do not use the product. Failure may cause damage to the product and result in injury.

Do not reconfigure. This leads to malfunction or accident.

- Reconfiguring by yourself causes the product to malfunction or accident. Okamura will have no responsibility for any disadvantages caused by remodeling.
- If you need remodeling, contact our official dealers beforehand.

Do not load anything more than the maximum loading capacity of the product. It may cause you to fall or damage to the product.

Loading part	Maximum loading capacity
Desktop	150 kg (330 lb) (uniformly distributed weight)

*What is "Uniformly distributed weight" ?
It means to load on a work surface, etc. evenly. Uneven loading on the product may cause balance loss and thus drop or fall.

Installation

Please follow instructions below. Failure may cause serious damage to the product and Okamura will have no responsibility for any damages.

Indoor use only.

- No outdoor or waterfront use.

Avoid direct sunlight

- When placing alongside windows, use curtains or blinds to avoid direct sunlight.

Avoid high temperature, high humidity, or extraordinary aridity.

Do not place product under heater or airconditioner exhausting high temperature air.

Do not place on uneven floor.

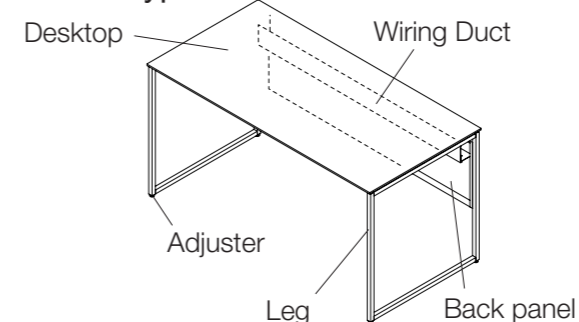
- Make sure to place the product on an even floor when using. Failure may cause the product to deform or to be damaged.
- Operate the adjusters to keep the desk horizontal to the floor.

Appropriate Ventilation Measures

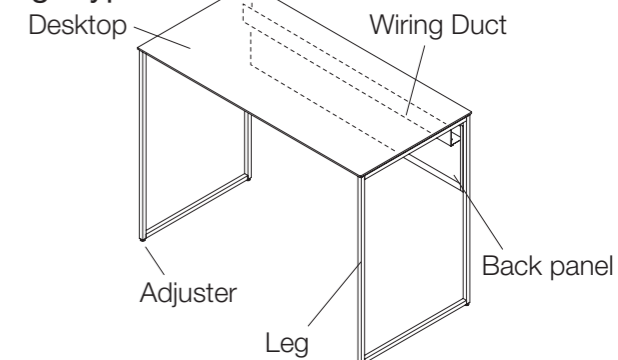
- Many chemical substances will be released by the product when it is first purchased. Sufficiently ventilate or expose the product to moving air for some time after purchasing it.
- Do not completely close windows when using the product in rooms with conspicuously high temperatures/ humidity (the benchmarks for these are temperatures in excess of 28°C (82.4°F) and relative humidity in excess of 50%).

Parts Name

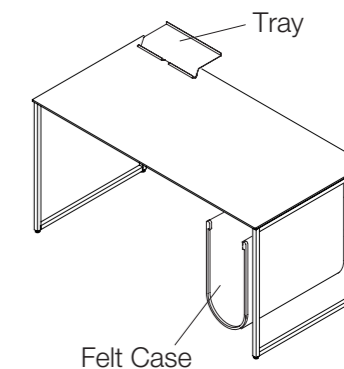
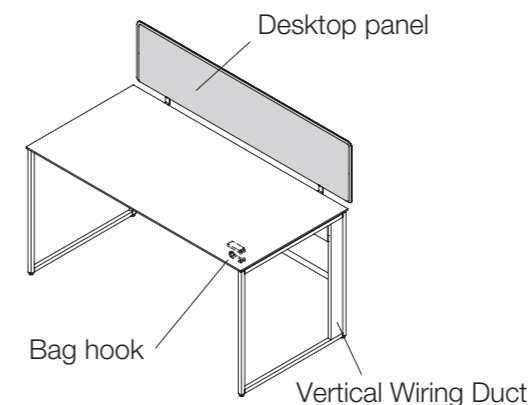
■ standard type



■ High type



■ Option



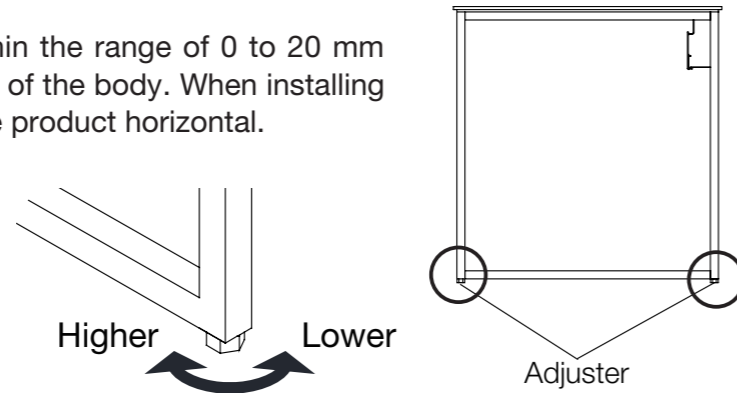
Operation Guide

■ Adjuster

The desk height can be adjusted within the range of 0 to 20 mm by rotating the adjusters at the bottom of the body. When installing the desk, use the adjusters to keep the product horizontal.

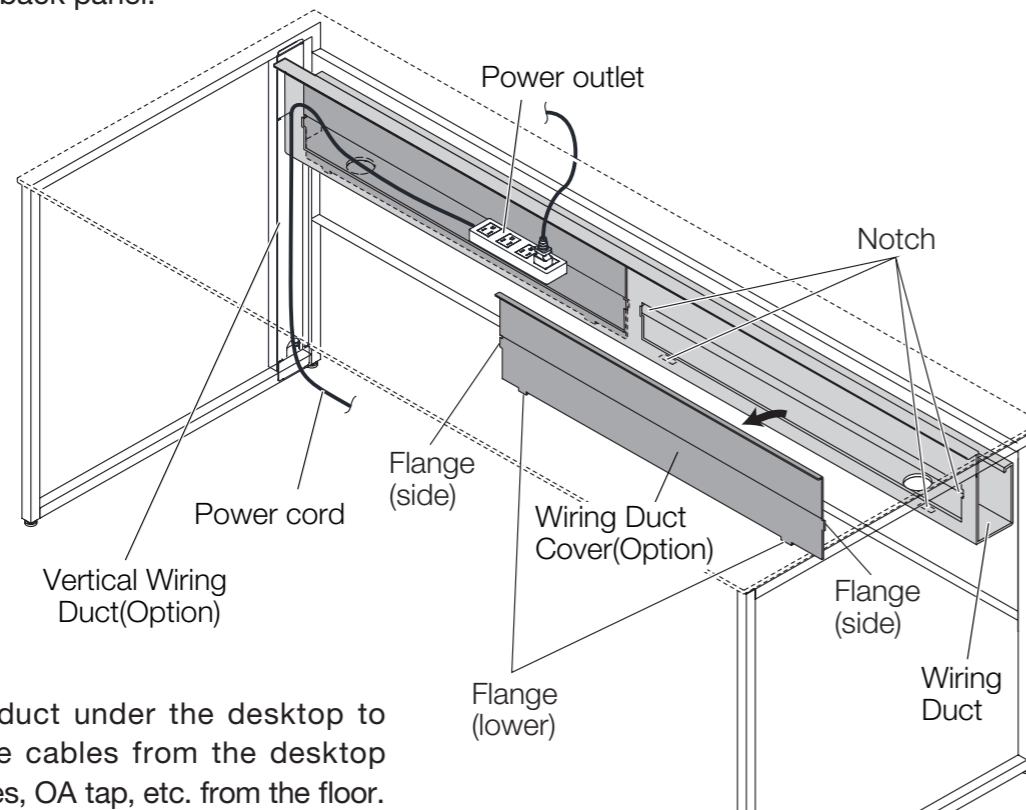
⚠ Caution

Two or more persons shall be assigned to perform the adjustment work not to get hands or fingers caught between the desk and the floor.



■ Wiring route

Drop cables into the wiring duct under the desktop from an arbitrary gap position between the desktop and the back panel.



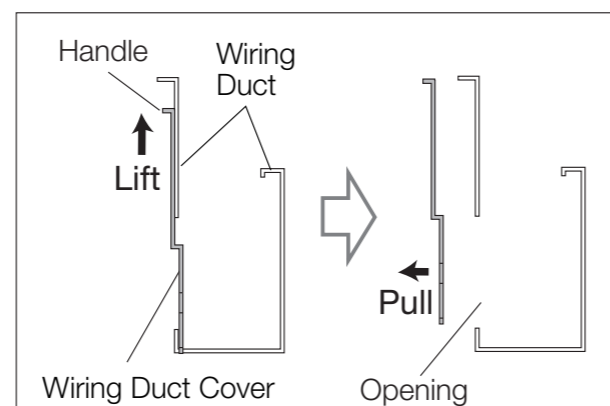
■ Wiring Duct

Use the wiring duct under the desktop to house excessive cables from the desktop surface and cables, OA tap, etc. from the floor.

■ Attaching/detaching the wiring duct cover (optional)

[To detach the cover]

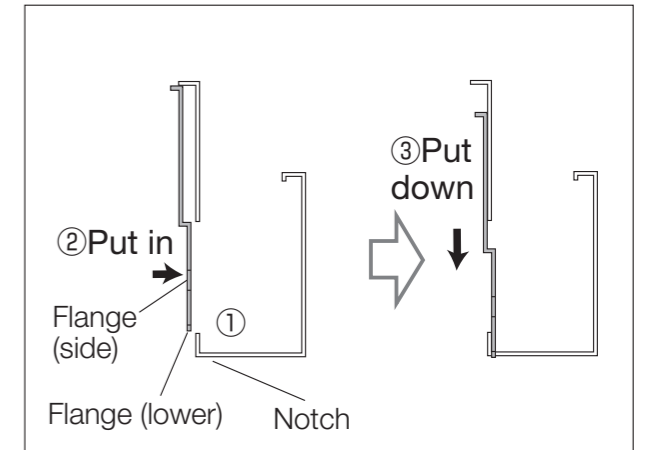
Hold the handle in the upper portion of the wiring duct cover by both hands, and pull the handle toward you while lifting it.



Operation Guide

[To attach the cover]

- ① While holding the handle of the wiring duct cover by both hands, fit the flange (side) of the wiring duct cover to the notch of the wiring duct opening.
- ② Fully insert the wiring duct cover to the opening, and lower it.
- ③ Put down the flange (lower) of the wiring duct cover into the groove at the bottom of the wiring duct.



■ Attaching/detaching the vertical wiring duct (optional)

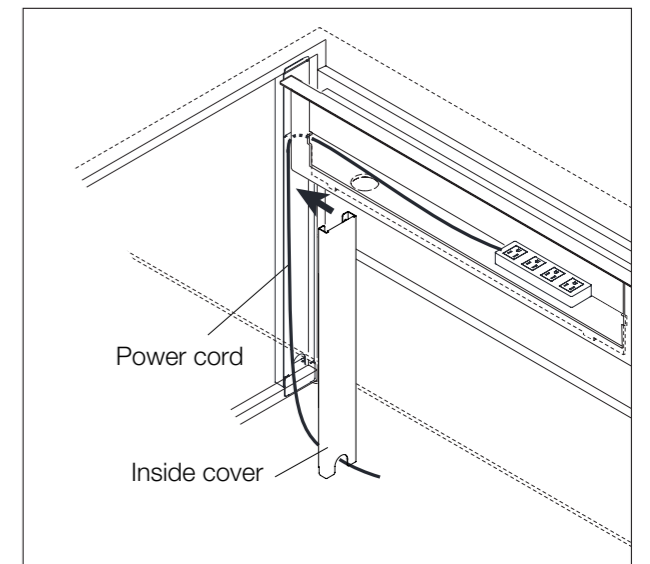
The vertical wiring duct is used to secure safe wiring of cables in the vertical direction. Separately supply low voltage power and high voltage power.

[To detach the cover]

Put your finger on the notch in the lower portion of the vertical wiring duct cover, and pull it toward you.

[To attach the cover]

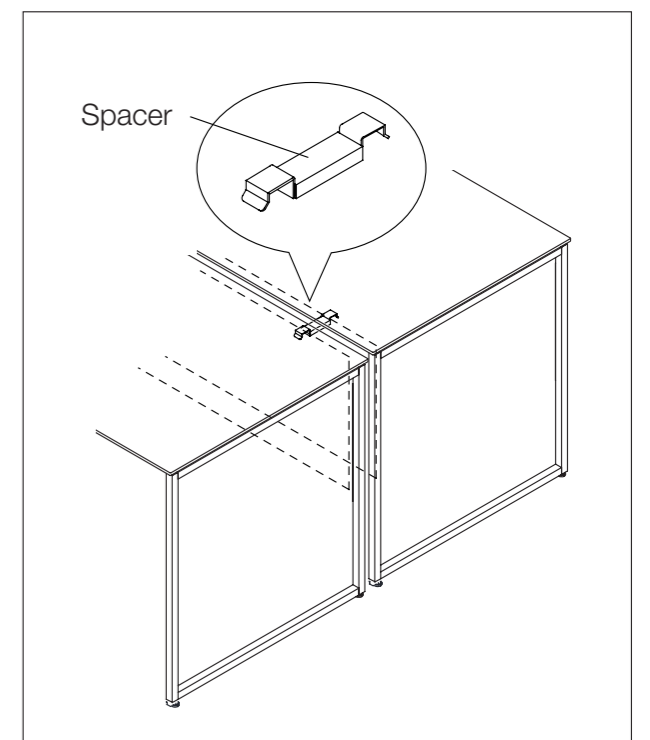
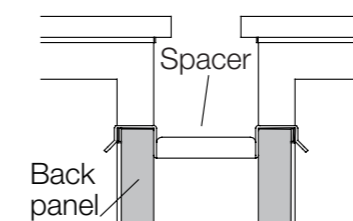
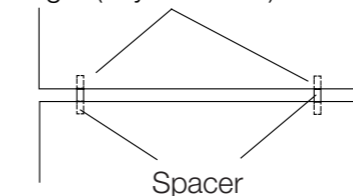
Attach the vertical wiring duct cover by aligning with the opening. (Magnet type)



■ Spacer (Option)

Attach the spacer to one place each on the left and right in the upper portion of the desk's back panel.

One place each on left and right (any locations)

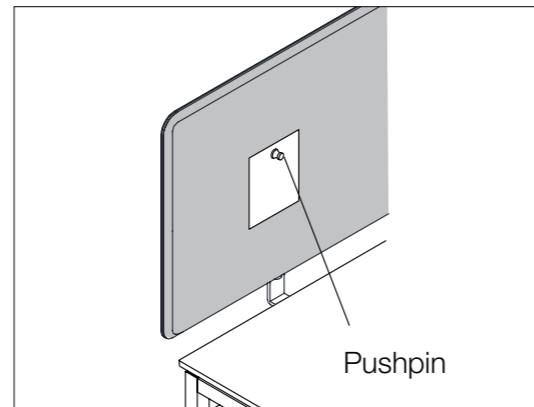


Operation Guide

■ Desktop panel (Option)

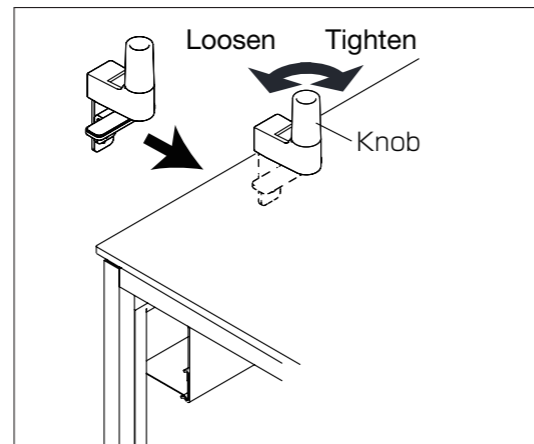
Pushpins can be used for pinning.

- * When pinning, push the pin while holding the panel.

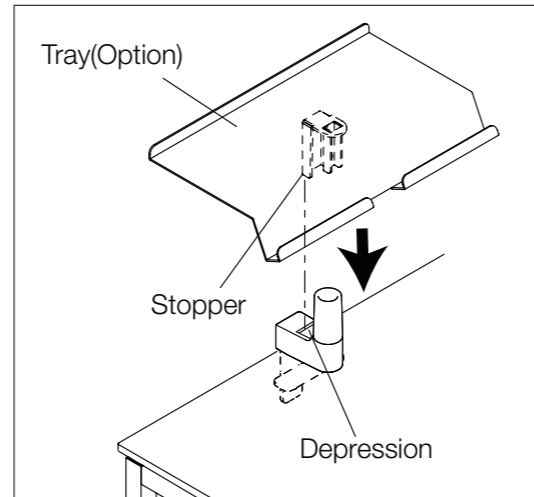


■ Clamping bracket

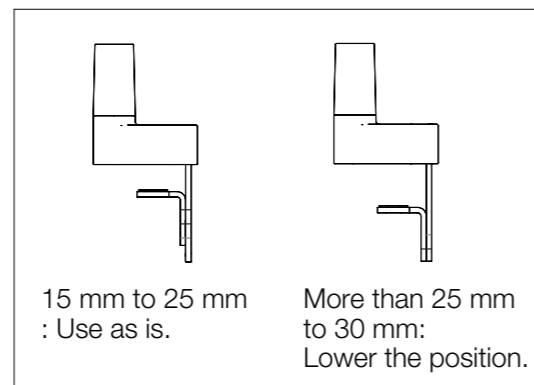
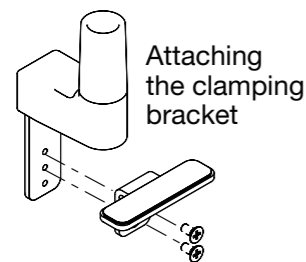
- ① Turn the knob at the top of the clamping bracket in the direction of "Loosen". Keep larger space than the thickness of the desktop, put the bracket in an arbitrary place, and then, determine the position.
- ② Turn the knob at the top of the clamping bracket in the direction of "Loosen". Keep larger space than the thickness of the desktop, put the bracket in an arbitrary place, and then, determine the position.



- * After attaching the clamping bracket, fit an optional component to the clamp. The optional component with a stopper shall be fit to align with the depression of the clamp.



- * If the desktop is thicker than 25 mm, lower the clamping bracket.

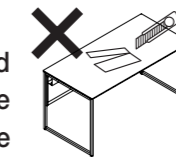


Instructions to Extend the Life of Product

Please follow instructions below. Failure may cause serious damage to the product and Okamura will have no responsibility for any damages.

Operating Precautions and Maintenance

- If the product has become unsteady due to loosening of the bolts or screws during use, retighten them immediately.
- Do not use any sharp-edged objects such as a knife on the desktop. Failure may damage the desktop.
- Please note that falling a heavy object onto the desktop may damage or deform the desktop.
- Do not place any hot objects directly on the desktop. Failure may leave white stains.
- Avoid direct exposure to steam. Failure will cause rust.
- Wipe off any water on the desktop with a dry and soft cloth.
- Immediately wipe off tea, coffee, detergent, chemical, etc. if any spilled.
- This instruction manual is very important, so store it in an easily accessible location.
- Regular maintenance is recommended for long-life use. Make your request to us early for inspections and repairs (fees required) when the warranty period has expired.
- Friction generated by use of a mouse, etc. may cause flashing on the coated desktop to change the viewed color. For the work that will generate friction on a regular basis, please use a protective sheet such as a pad.



For daily care

For daily care

- Wipe off with a dry soft clean cloth.

Care in case of exceptional dirtiness

- Moisten a soft cloth with thin neutral detergent (1 to 3%), well wring it, and wipe off the dirt. Subsequently, wipe off detergent completely with a dry, soft cloth to dry it.

Precautions for daily care

- If you use a commercially available cleaner, make sure to confirm that discoloration or other phenomena will not occur by applying a small amount of the cleaner to an unnoticeable portion in advance.

Resin part

- Wipe with a well wrung soft cloth moistened.
- If dirt is noticeable, wipe it off with a well wrung soft cloth moistened with thin neutral detergent. Be sure to remove detergent completely with a damp cloth and wipe again with a dry cloth to dry it.

Aluminum portion/Steel portion

- Wipe off with a dry soft clean cloth.
- Immediately wipe off any water or fingerprints (sebum). Please note that the aluminum portion will get oxidized to lose its gloss and deteriorate the texture if the desk is left with water or fingerprints (sebum) attached.