

# Primp

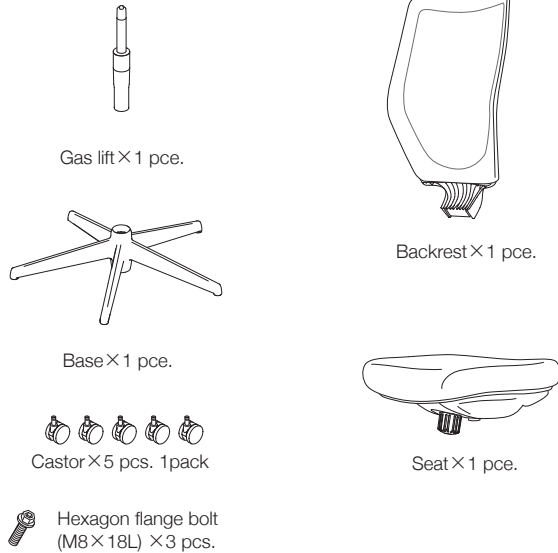


## Assembly Instruction & Instructions for Use

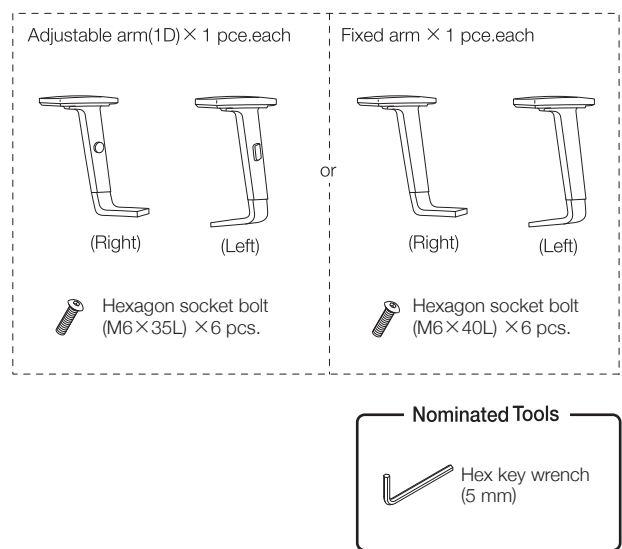
### Component List

(Check the components before starting assembly)

#### ■ Main body (standard parts)



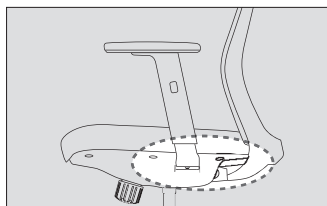
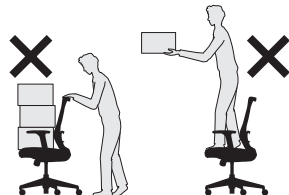
#### ■ Option parts



### Safety Instructions (Make sure to follow these instructions)

**Caution** Indicates that improper handling may cause injury or property damage.

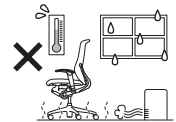
- Do not handle roughly, or use improperly.
  - Do not use as a carrier.
  - Do not stand on the chair or sit on the front side of seat or armrest.
  - Do not sit on any parts other than the seat.
- Do not disassemble or repair on your own. Please contact official dealers when needed.
- No remodeling. Okamura will have no responsibility for any disadvantage caused by remodeling.
- Gas lift replacement and handing should only be carried out by the trained professional.
- Be careful not to get your fingers, hands or clothes caught in the gaps between the moving parts or the back of the pad when adjusting the position of the arm. Also, make sure that the arm are second tightly become use.



### Instructions to Extend the Life of Product

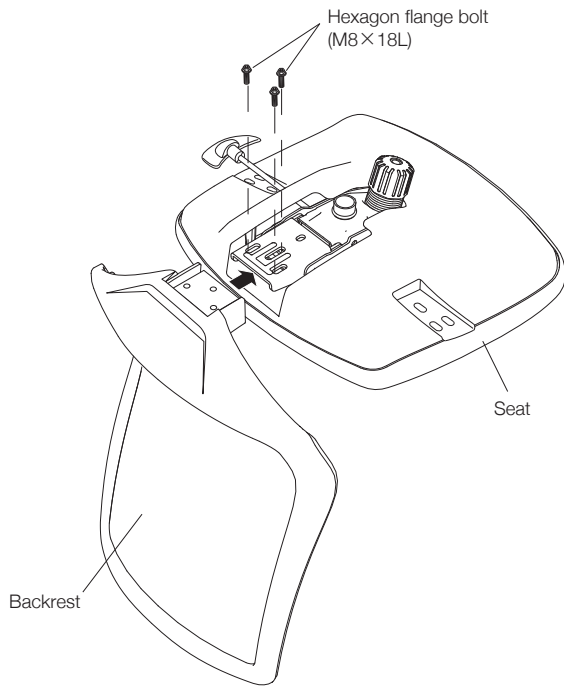
Please follow instructions below. Failure may cause serious damage to the product.

- Indoor use only.
  - Avoid high temperature, high humidity, or extraordinary aridity.
- No outdoor or waterfront use.
  - Do not place product under heater or air-conditioner exhausting high temperature air.
- Avoid direct sunlight.
  - Do not place on uneven floor.
- When placing alongside windows, use curtain or blind to avoid from direct sunlight.



**1 Backrest attachment**

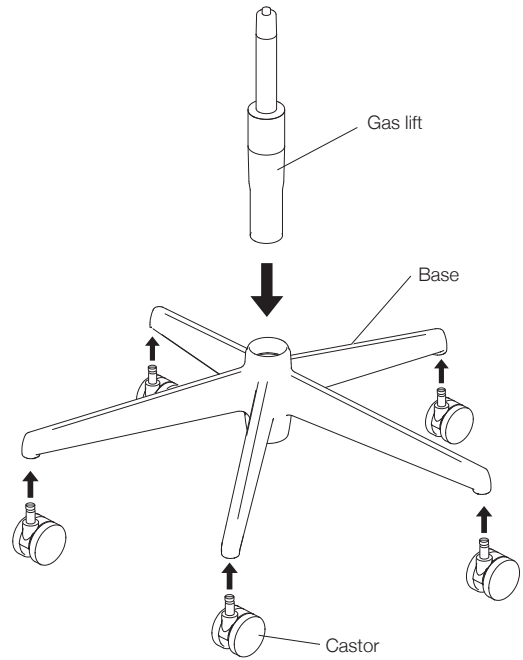
Attach the backrest and the seat by using hexagon flange bolts (M8 × 18L).



\* Place the backrest and the seat upside down for assembly.  
 \* Assembly must be conducted by two or more people.

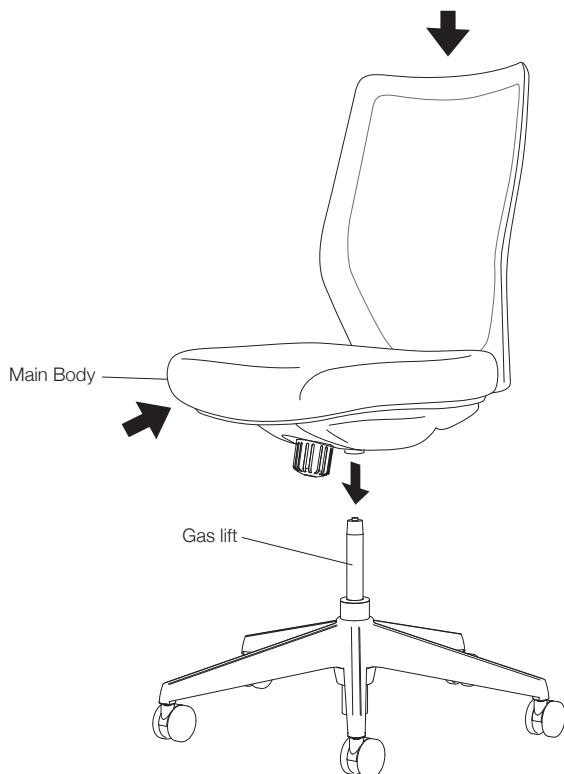
**2 Gas lift and castors attachment**

Place the gas lift to the 5-star base. Attach the castors to the 5-star base.



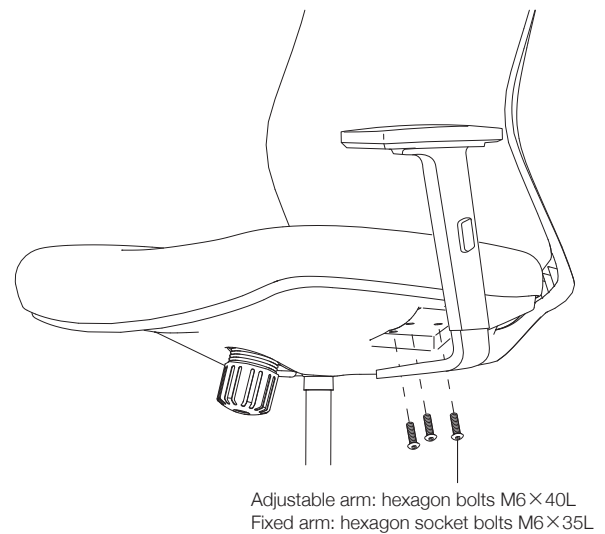
**3 Main body attachment**

Place the main body on the gas lift as shown. Do not hold the arms of the main body. Hold the parts indicated by the arrows.

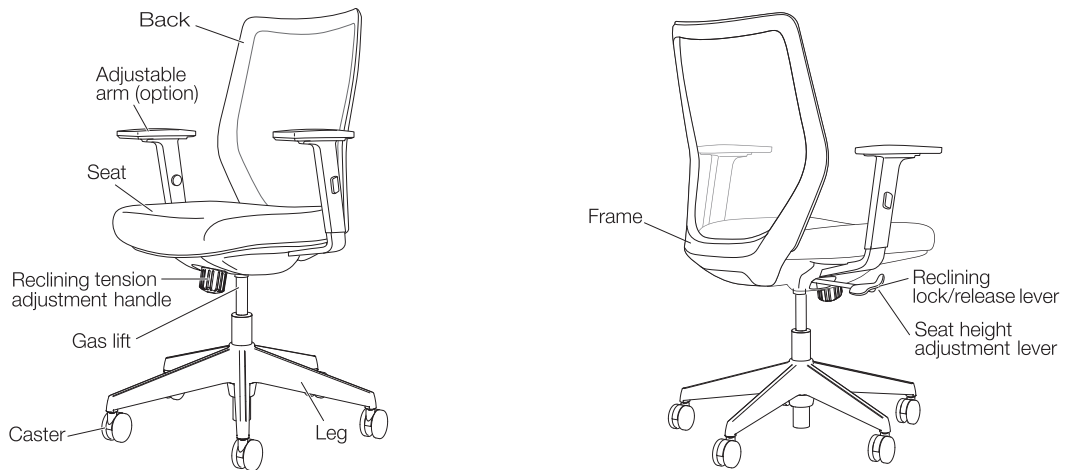


**4 Arm attachment**

Attach the arms to the frame arm attachment locations by using hexagon socket bolts (M6 × 40L) for Adjustable arm(1D), or hexagon socket bolts (M6 × 35L) for Fixed arm.  
 \*Tools: 5mm hexagonal wrench (Allen wrench)



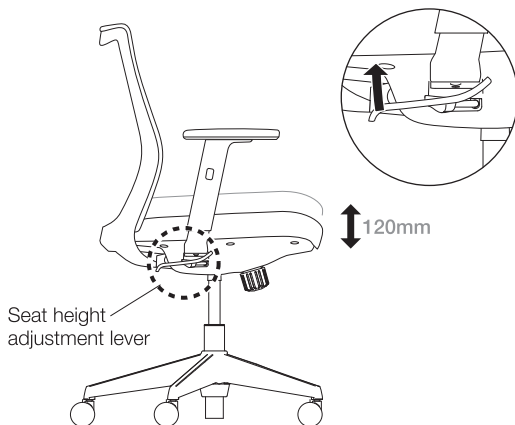
## Part Names



## Operation

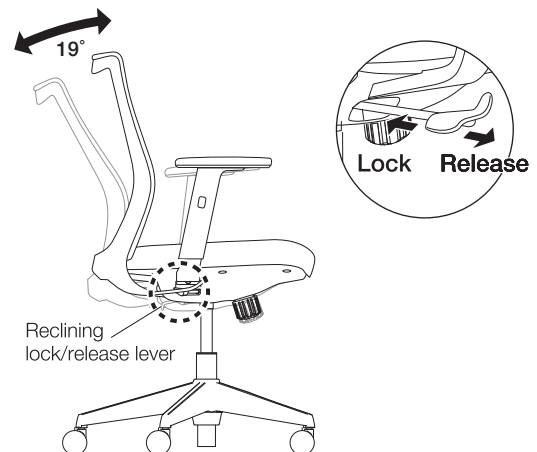
### ■ Seat height adjustment

Adjust using the "seat height adjustment lever" on the bottom right of the seat. If the lever is lifted upwards with a person's weight on it, the seat will be lowered and will then be locked in place at the position when the lever is released. To raise the seat, pull the lever upwards with your weight raised slightly off the seat.



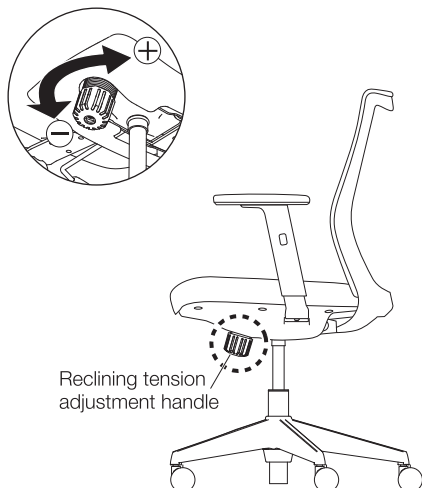
### ■ Lock and Release of Backrest

The backrest can be locked and released by pulling out the lever located underneath the seat on the right-hand side. The backrest can only be locked when it's upright.



### ■ Reclining tension adjustment

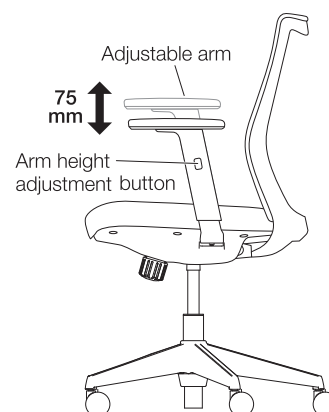
Turn the tension adjustment handle in the "+" direction to increase tension and in the "-" direction to decrease tension. Adjust so that it is comfortable for you.



### ■ Adjustable arm height

Push the arm height adjustment button at the side of armrest. The arm height can be adjusted up and down within a range of 75mm by pushing and holding the button. Lock again by releasing the button.

⚠ Caution: Be carefull not to nip your fingers into back of the arm pad.



## Materials

Part		Materials	
Structural parts	Backrest	Frame	Glass-reinforced polyamide >PA-GF<
	Seat	Inner shell	Wood
		Outer shell	Polypropylene >PP<
	Support base		Metal (steel)
	Legs		Glass-reinforced polyamide >PA-GF<
	Adjustable arm	Pad	Polyurethane >PP<
Body		Glass-reinforced polyamide >PA-GF<	
Frame		Glass-reinforced polyamide >PA-GF<	
Covering material	Mesh		Polyester
	Cloth		Polyester
Cushion material	Seat		Polyurethane >PUR<

※>XX< indicates the materials of the parts. This information is useful when recycling.

※Please understand that product specifications might change without prior notification when improvements are made to the product.

# OKAMURA

**OKAMURA CORPORATION**

International Sales & Marketing Div.

2-14-27, Akasaka, Minato-ku, Tokyo 107-0052, JAPAN

Tel: +81-3-5561-4085 Fax: +81-3-5561-4086

<http://www.okamura.com>

COG002/2019-09