

traverse **satellite**

Spec Guide

Issued July 2020



okamura

CONTENTS

| | |
|-----------|---|
| 2 | Product concept |
| 3 | Shapes and Dimensions |
| 4 | Drawing |
| 5 | Finishes |
| 7 | Integrated Technology |
| 8 | Power Source Diagram |
| 9 | Dedicated Power Source Cable Kit |
| 11 | Wire routing detail Large profile leg |
| 12 | Wire routing detail Small profile leg |
| 13 | Wire Management Tray Kit |
| 17 | Tech Port |
| 19 | In-surface-Rectangle aluminum lid |
| 21 | In-surface-Round rotate opening lid |
| 22 | Tech Cradle |
| 24 | Wireless charger |
| 26 | Wire entry position diagram |
| 28 | Specifying process |
| 28 | Typical configurations ROOM 1 |
| 29 | Typical configurations ROOM 2 |
| 30 | Typical configurations ROOM 3 |
| 31 | Product Codes |
| 47 | Credenza |



traverse **satellite**

Engineered simplicity.
Now, at scale.

Conference rooms and the tables around which we gather are changing. They have become a gathering place for collaboration from informal to formal, small to large groups.

The newest member of the Traverse table collection — Traverse Satellite — offers Okamura's incomparable attention to detail and engineering-forward design, at a size appropriate for smaller conference rooms and offices.



Shapes and Dimensions

Standard Height | 29" (737)

■ Round/Square

| Leg type | Small profile leg (frameless) | | | | |
|------------|-------------------------------|-------------------|-------------------|-------------------|-------------------|
| Length | 36" (914) | 42" (1067) | 48" (1218) | 54" (1372) | 60" (1524) |
| Width | 4 person 4 person | 4 person 4 person | 4 person 4 person | 6 person 4 person | 6 person 8 person |
| 36" (914) | | | | | |
| 42" (1067) | | | | | |
| 48" (1218) | | | | | |
| 54" (1372) | | | | | |
| 60" (1524) | | | | | |

■ Rectangle

| Leg type | Small profile leg (frameless) | | Large profile leg (w/frame) | | | | | |
|------------|-------------------------------|------------|-----------------------------|------------|-------------|-------------|-------------|-------------|
| Length | 60" (1524) | 72" (1829) | 84" (2134) | 96" (2438) | 108" (2743) | 120" (3048) | 132" (3353) | 144" (3658) |
| Width | 4 person | 6 person | 8 person | 8 person | 10 person | 10 person | 12 person | 12 person |
| 36" (914) | | | | | | | | |
| 42" (1067) | | | | | | | | |
| 48" (1218) | | | | | | | | |
| 54" (1372) | | | | | | | | |
| 60" (1524) | | | | | | | | |

Bar Height | 42" (1067)

■ Rectangle

| Leg type | Large profile leg (w/frame) | | |
|------------|-----------------------------|-------------|-------------|
| Length | 96" (2438) | 120" (3048) | 144" (3658) |
| Width | 8 person | 10 person | 12 person |
| 42" (1067) | | | |
| 48" (1218) | | | |
| 54" (1372) | | | |

Low Height | 20" (508)

■ Round/Square

| Leg type | Large profile leg (w/frame) | | |
|------------|-----------------------------|-------------------|-------------------|
| Length | 36" (914) | 42" (1067) | 48" (1218) |
| Width | 4 person 4 person | 4 person 4 person | 4 person 4 person |
| 30" (762) | | | |
| 36" (914) | | | |
| 42" (1067) | | | |
| 48" (1218) | | | |

■ Rectangle

| Leg type | Large profile leg (w/frame) | |
|------------|-----------------------------|------------|
| Length | 60" (1524) | 72" (1829) |
| Width | 4 person | 6 person |
| 30" (762) | | |
| 36" (914) | | |
| 42" (1067) | | |
| 48" (1218) | | |

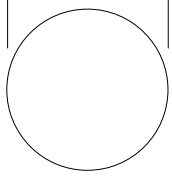
inches (mm)

Drawing

Standard Height | 29" (737)H

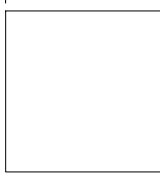
← grain direction

φ36", 42", 48", 54", 60"
(φ914, 1067, 1218, 1372, 1524)

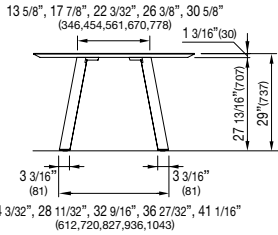


Round
Small profile leg
(frameless)

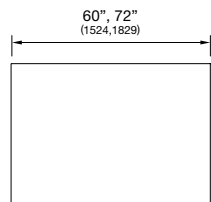
36", 42", 48", 54", 60"
(914, 1067, 1218, 1372, 1524)



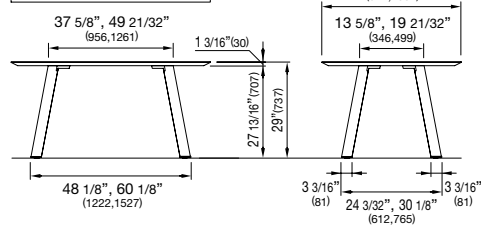
Square
Small profile leg
(frameless)



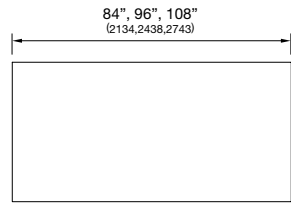
*Glass table height : 29 1/4" (743)



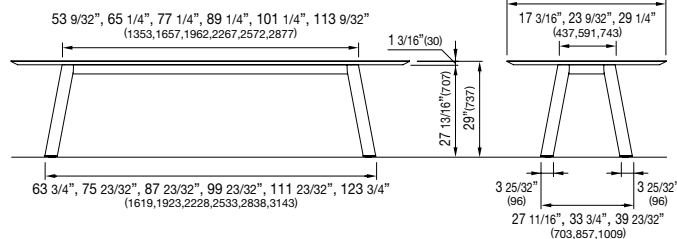
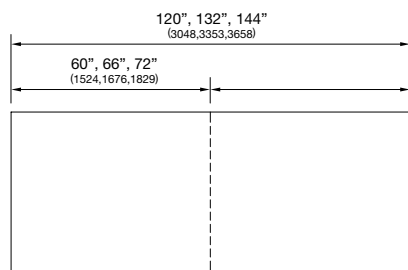
Rectangle
Small profile leg
(frameless)



*Glass table height : 29 1/4" (743)



Rectangle
Large profile leg
(w/frame)

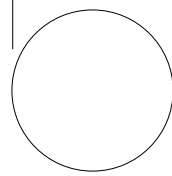


*Glass table height : 29 1/4" (743)

Low Height | 20" (508)H

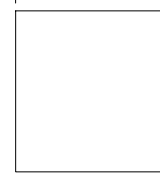
← grain direction

φ36", 42", 48"
(φ914, 1067, 1218)

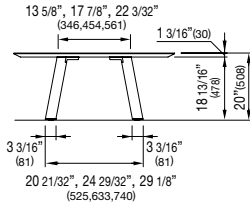


Round
Small profile leg
(frameless)

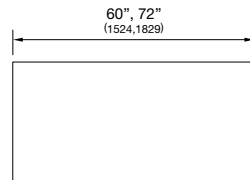
36", 42", 48"
(914, 1067, 1218)



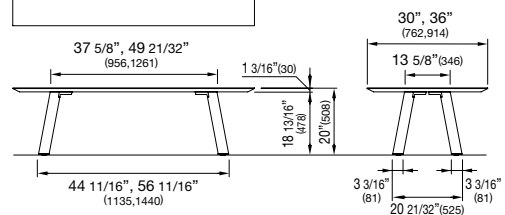
Square
Small profile leg
(frameless)



*Glass table height : 20 1/4" (514)



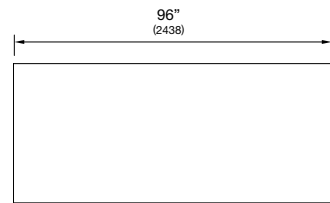
Rectangle
Small profile leg
(frameless)



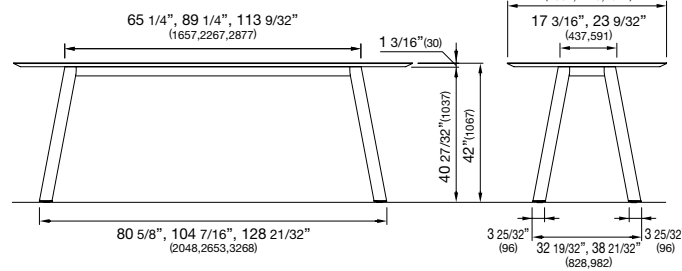
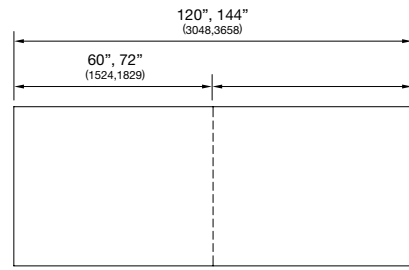
*Glass table height : 20 1/4" (514)

Bar Height | 42" (1067)H

← grain direction



Rectangle
Large profile leg
(w/frame)



*Glass table height : 42 1/4" (1073)

inches (mm)



Glass
* Sub top : HPL



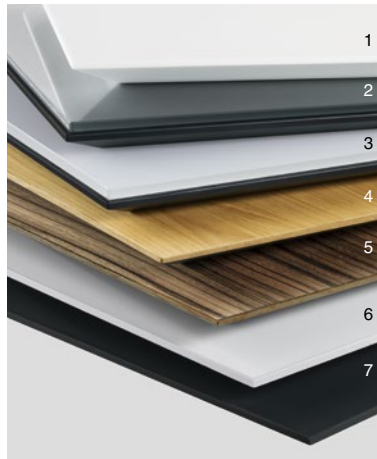
Corian®



Veneer



High Pressure Laminate



1. Corian® GG31 (Designer White)
 - 2.* Glass / H288 (Metal Gray) Sub top HPL / MAN9 (Black)
 - 3.* Glass / H287 (White) Sub top HPL / MAN9 (Black)
 4. Natural Wood Veneer / WE55 (Oak)
 5. Reconstituted Wood Veneer / WG53 (Ziricote)
 6. High Pressure Laminate / MDM4 (Brite White)
 7. High Pressure Laminate / MDM9 (Black)
- * Sub top color matches the leg/beam color.

Veneer cut : Quarter cut
Veneer match : Slip match



Natural Wood Veneer

- WE51 : Dyed Oak
- WE52 : Dark Sapele
- WE54 : Teak
- WE56 : Figured Maple
- WE57 : Paldao

Reconstituted Veneer

- WG51 : Oak Chrome
- WG52 : Oak Grey
- WG53 : Ziricote
- WG54 : Walnut Tropical
- WG55 : Ebony Light

Veneer cut : Flat cut
Veneer match : Slip match



Natural Wood Veneer

- WE53 : Walnut
- WE55 : Oak

Reconstituted Veneer

- WG56 : Walnut

Finishes

Tabletop Finishes

High Pressure Laminate (Standard matte finish)



MDM1 Brite White MDM2 Platinum MDM3 Fog

High Pressure Laminate (Anti-finger print super matte infiniti finish)



MDM4 Brite White MDM5 Platinum MDM7 Fog MDM8 Mouse MDM6 Terril MDM9 Black

Reconstituted Wood Veneer



WG51 Oak Chrome WG52 Oak Grey WG53 Zircote WG54 Walnut Tropical WG55 Ebony Light WG56 Walnut

Natural Wood Veneer



WE51 Dyed Oak WE52 Dark Sapele WE53 Walnut WE54 Teak WE55 Oak WE56 Figured Maple WE57 Paldao

Glass



H287 White H288 Metal Gray H289 Black

※ Sub top color matches the leg/beam color.

| Leg / Beam color | ZG26 Bright White | ZG27 Silver Gray | ZG28 Concrete Gray | ZG29 Black | A03 Clear Anodized |
|---|----------------------|---------------------|-----------------------|---------------|-----------------------|
| Sub top laminate color (Standard matte finish) | MDM1 Brite White | MDM3 Fog | MDM2 Platinum | MAN9 Black | MAN8 Folkstone |

Corian®



GC31 Designer White GC32 Silver Gray GC33 Neutral Concrete GC34 Deep Nocturne

Leg / Beam Finishes

Paint



ZG26 Bright White (Matte finish) ZG27 Silver Gray (High gloss finish) ZG28 Concrete Gray (High gloss finish) ZG29 Black (Matte finish)

Anodized



A03 Clear Anodized

Integrated Technology

Technology, hidden but fully powered.

Traverse Satellite has a wide range of technology integration capability with a sophisticated way, fulfilling diverse demands in a conference room. At the bottom of one leg of each table is an inconspicuous access aperture for connecting the electrical and data systems to the floor outlet. The flexible leg attachment design allows minimizing the length of exposed wiring and cable.

- All four legs have wiring capacity with removable wiring cover.
- Wire routing is easy with removable cap on one of four wiring covers.
- Wire management kit allows storing excess cables. Sold separately.
- Traverse Satellite utilizes 4-wire, 2-circuit electrical module system for power sourcing.
- In-surface power accessory for easy access from all seating positions.
- Under-mount power accessory for clean tabletop and future flexibility.
- Installation of power accessory and electrical module system on a table should be done by a professional furniture installer.
- Tabletop grommet is available as an option.

Chicago Electrical Requirement

The city of Chicago may require hardwiring of electrical components. For Chicago applications, Okamura provides power accessories with hardwired power cord. Electrical components such as junction boxes, power infeed and jumpers must be purchased separately.

Other Municipality Electrical Requirement

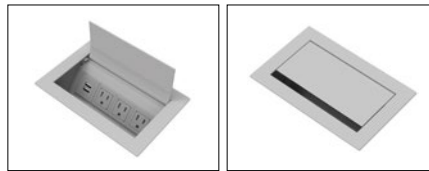
Other metropolitan areas may have special electrical requirements as well. Consult a local electrical contractor for proper code compliance information.



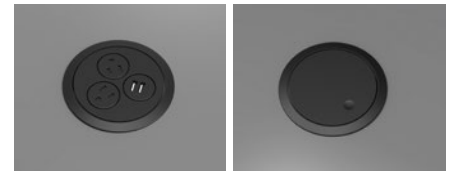
In-surface power accessory



Tech Port
(Trimless matched lid)



Rectangle aluminum lid

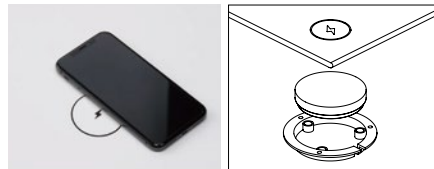


Round rotate opening lid

Under-mount power accessory



Tech Cradle



Wireless charger

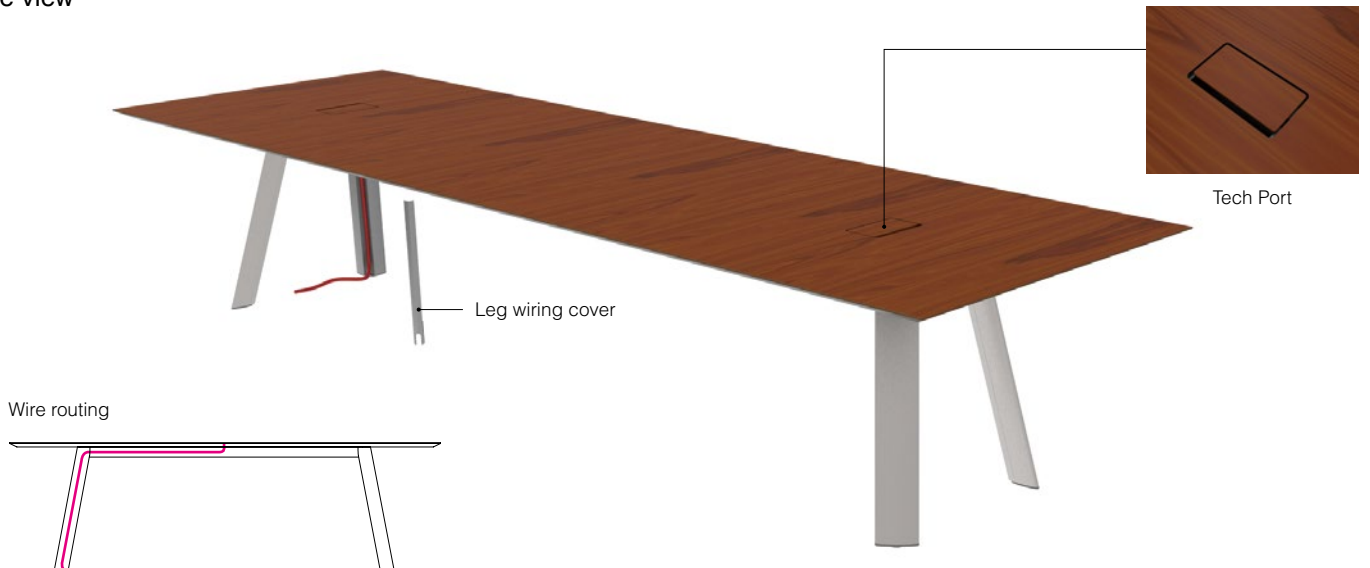
Leg wiring capability



Tabletop grommet



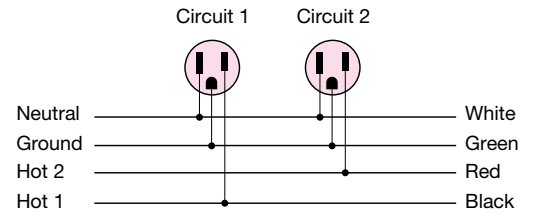
Table view



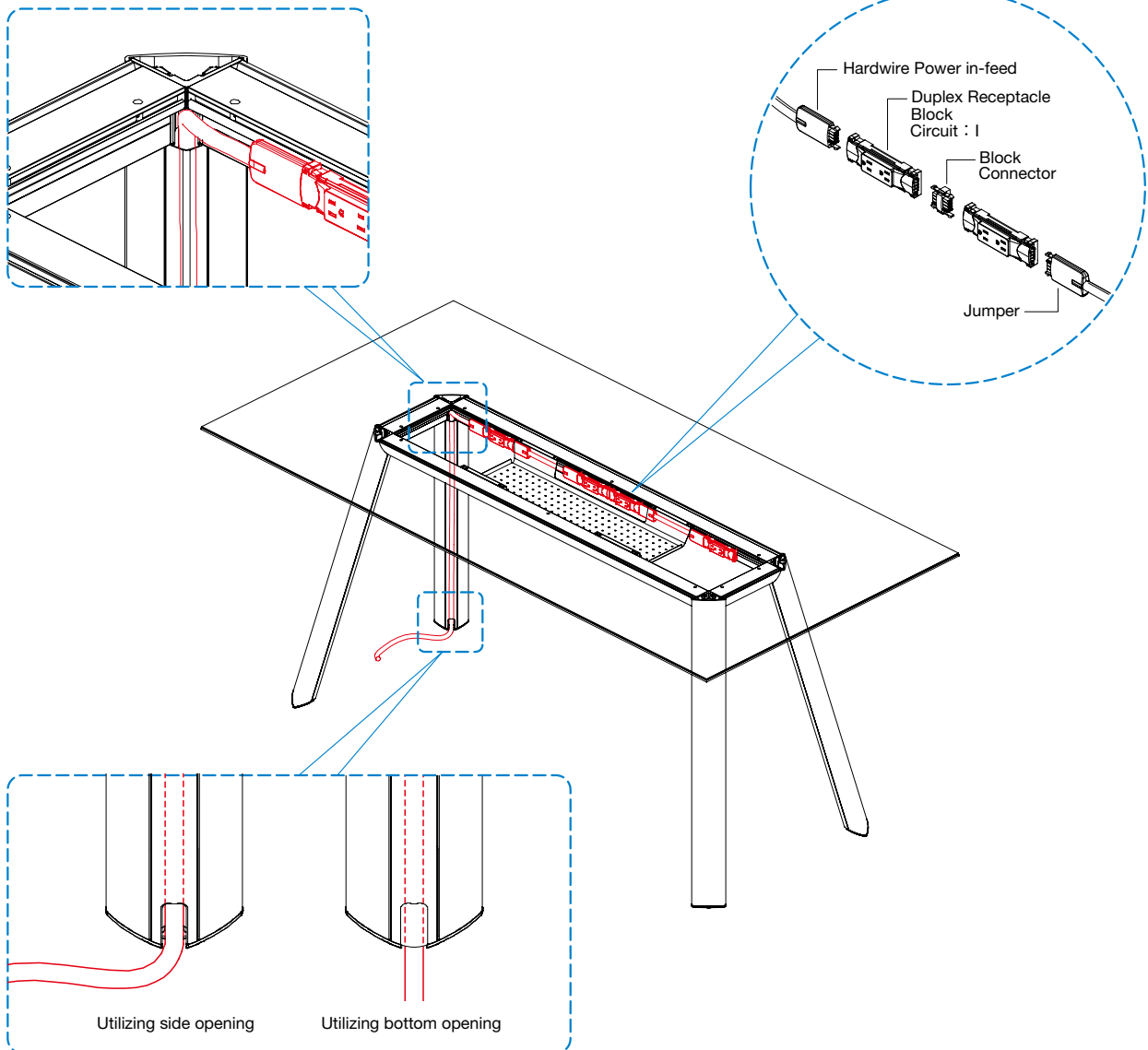
Power Source Diagram

- Utilizes 4-wire, 2-circuit electrical module system as power source for each power accessory.
- Each power accessory will be plugged in to receptacle block of electrical module system.
- All receptacle blocks are specified with only 1-circuit as standard. Receptacle blocks with 2-circuit may be ordered as an option.
- 20-amp hardwire power infeed is standard. A licensed electrician is required to complete hardwire connections to building's power source. Plug-in power infeed option available.
- 4-wire, 2-circuit electrical system supplied for standard hardwire infeed. Single circuit electrical system supplied for optional plug-in power infeed.
- Hardwire power infeed is 72" from the first receptacle block as standard. Longer hardwire power infeed is available as an option.
- Hardwire power infeed is a flexible metal conduit as standard. Liquid-tight conduit option available.
- All wires are 12 gauge
- Power source cable kits are UL listed for upholding strict safety standards.

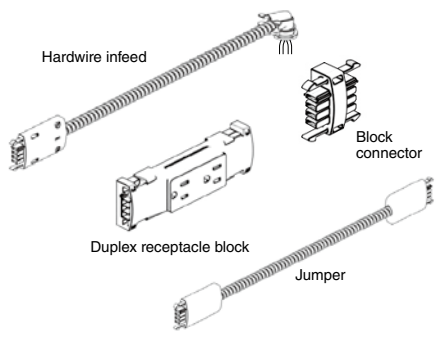
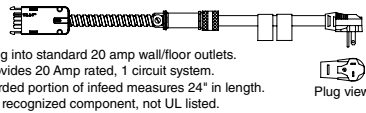
Electrical Diagram for Hardwire Power Infeed



Note : For two circuits, Hot 1+2 should be connected to opposite sides of 240v bus.








Dedicated Power Source Cable Kit

| | Applicable table (Rectangle) | | Number of Outlets | Code |
|--|------------------------------|--------------------------------|----------------------|-------------|
| | Height | Length | | |
| Power source cable kit  | 29" | 60" / 72" | 8 | 4LPF1A-Y647 |
| | | 84" | 8 | 4LPF1B-Y647 |
| | | 96" | 8 | 4LPF1C-Y647 |
| | | 108" | 12 | 4LPF1D-Y647 |
| | | 120" | 12 | 4LPF1E-Y647 |
| | | 132" | 12 | 4LPF1F-Y647 |
| | | 144" | 12 | 4LPF1G-Y647 |
| 20 AMP Plug-in Power Entry Infeed (Optional)  <p>*Plug into standard 20 amp wall/floor outlets. *Provides 20 Amp rated, 1 circuit system. *Corded portion of infeed measures 24" in length. *UL recognized component, not UL listed.</p> | 42" | 96" | 8 | 4LPF1H-Y647 |
| | | 120" | 12 | 4LPF1J-Y647 |
| | | 144" | 12 | 4LPF1K-Y647 |
| | | Applicable table height | Infeed length | Code |
| | | 29" | 72" | 4LPF2A-Y647 |
| | | 42" | 84" | 4LPF2B-Y647 |

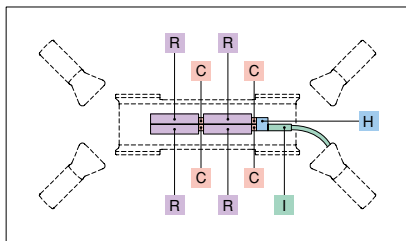
Power source cable kit diagram

Simplified symbol chart

| Simplified symbol | R | C | H | I | J |
|-------------------|---|---|---|--|--|
| Part |  Duplex receptacle block |  Block connector |  H connector |  Hardwire infeed |  Jumper |

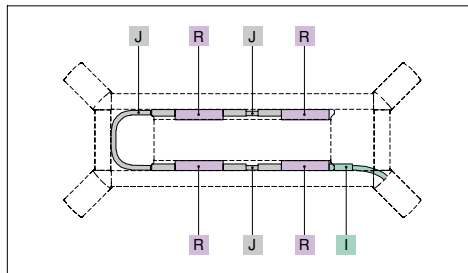
29"H

For 60"/72" tables



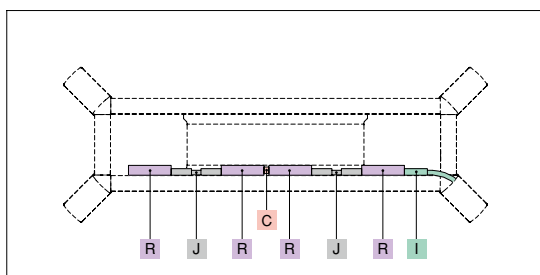
4LPF1A-Y647

For 84" tables



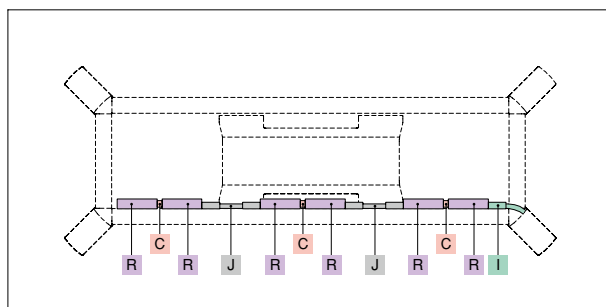
4LPF1B-Y647

For 96" tables



4LPF1C-Y647

For 108" tables

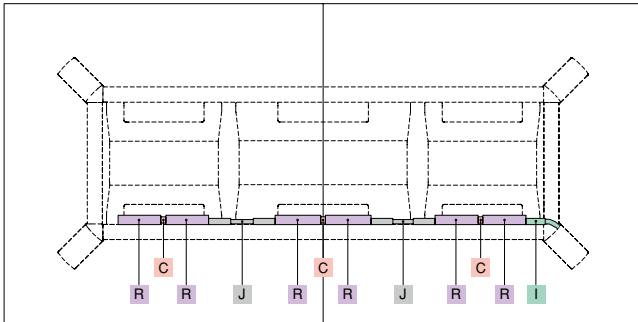


4LPF1D-Y647

Dedicated Power Source Cable Kit

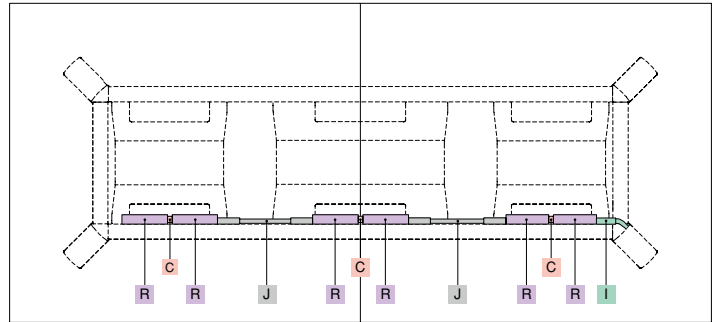
29"H

■ For 120" tables



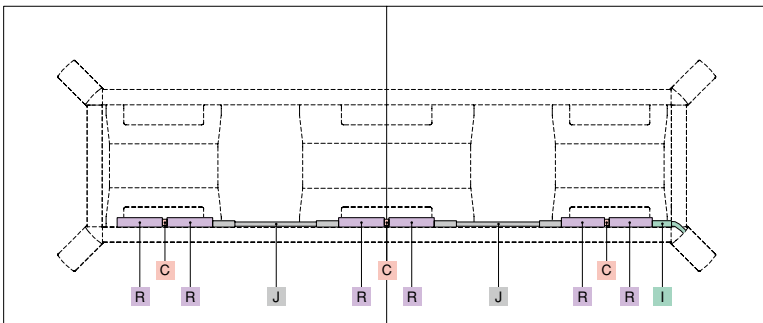
4LPF1E-Y647

■ For 132" tables



4LPF1F-Y647

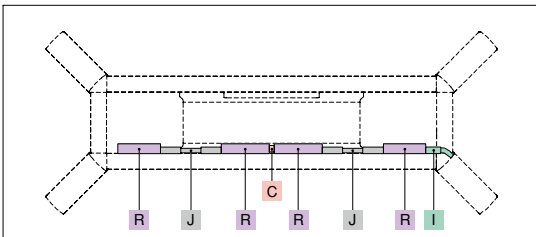
■ For 144" tables



4LPF1G-Y647

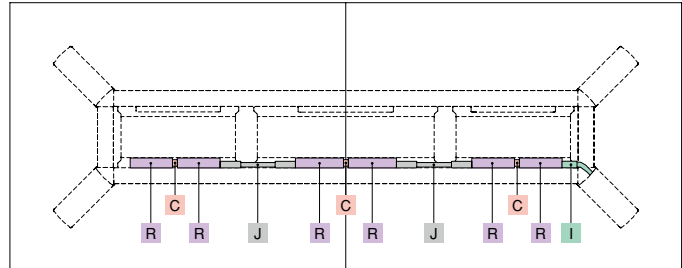
42"H

■ For 96" tables



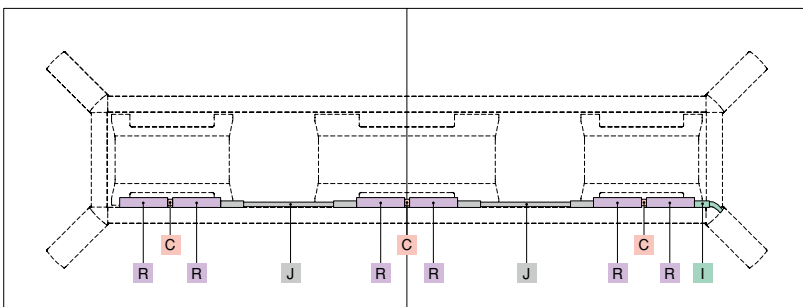
4LPF1H-Y647

■ For 120" tables



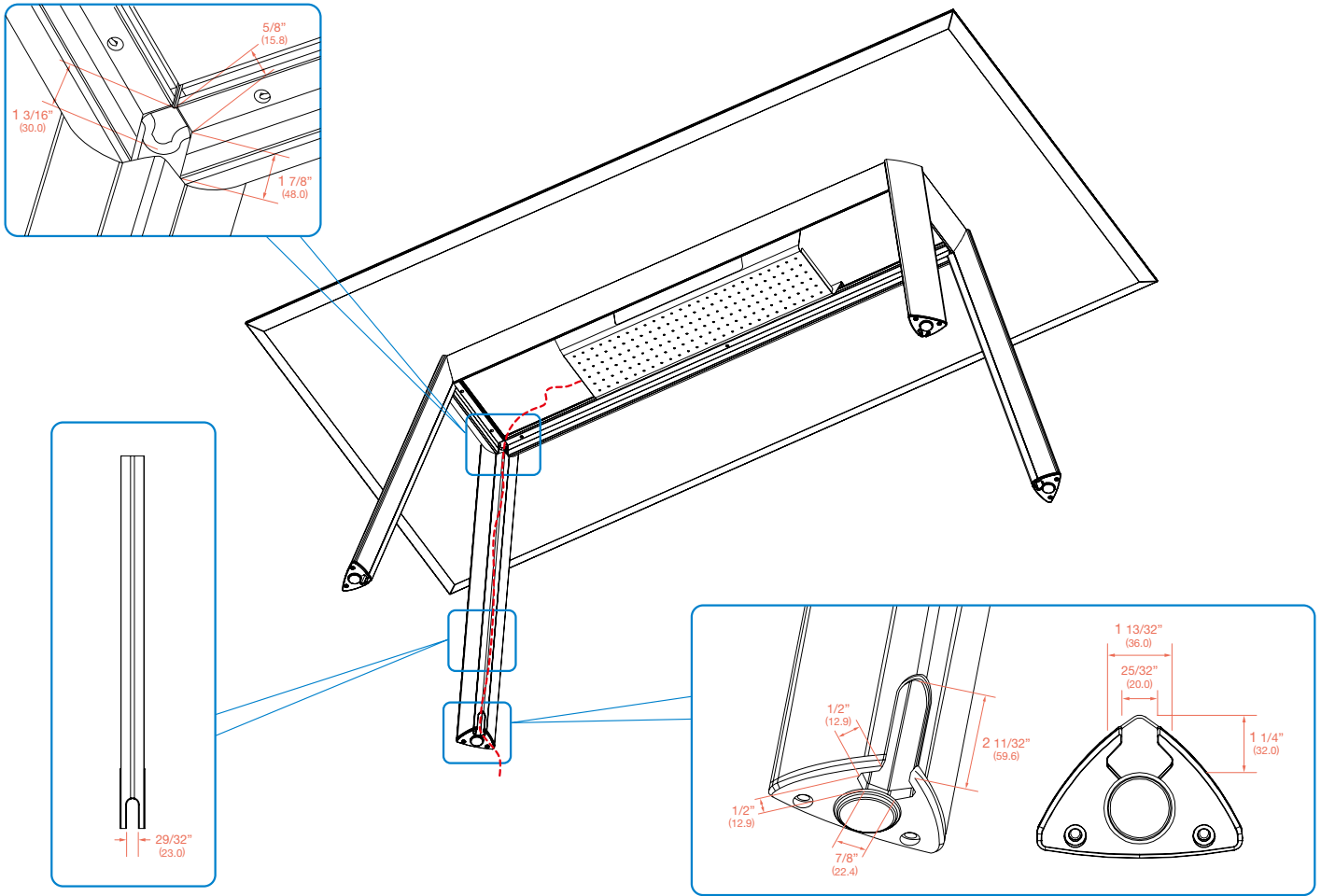
4LPF1J-Y647

■ For 144" tables

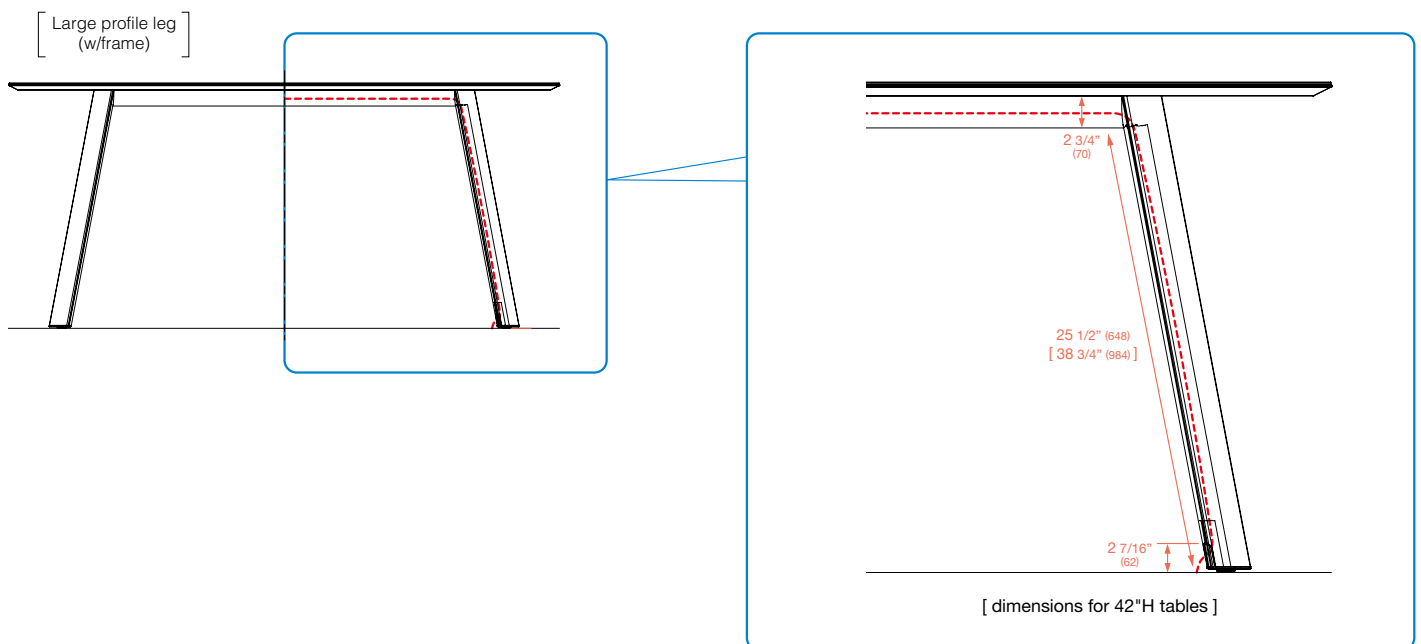


4LPF1K-Y647

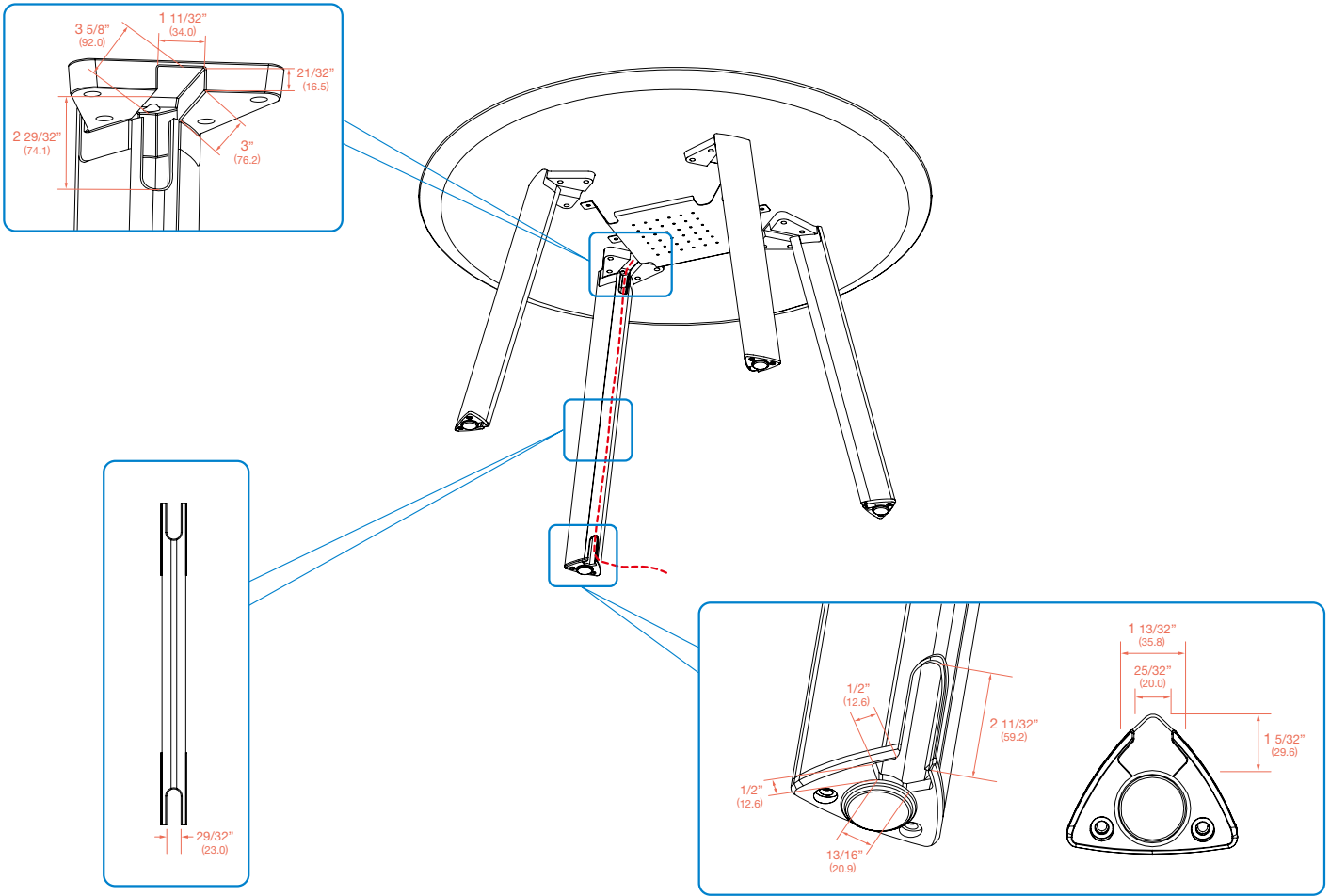
Wire routing detail | Large profile leg



Effective dimensions from the leg to the duct

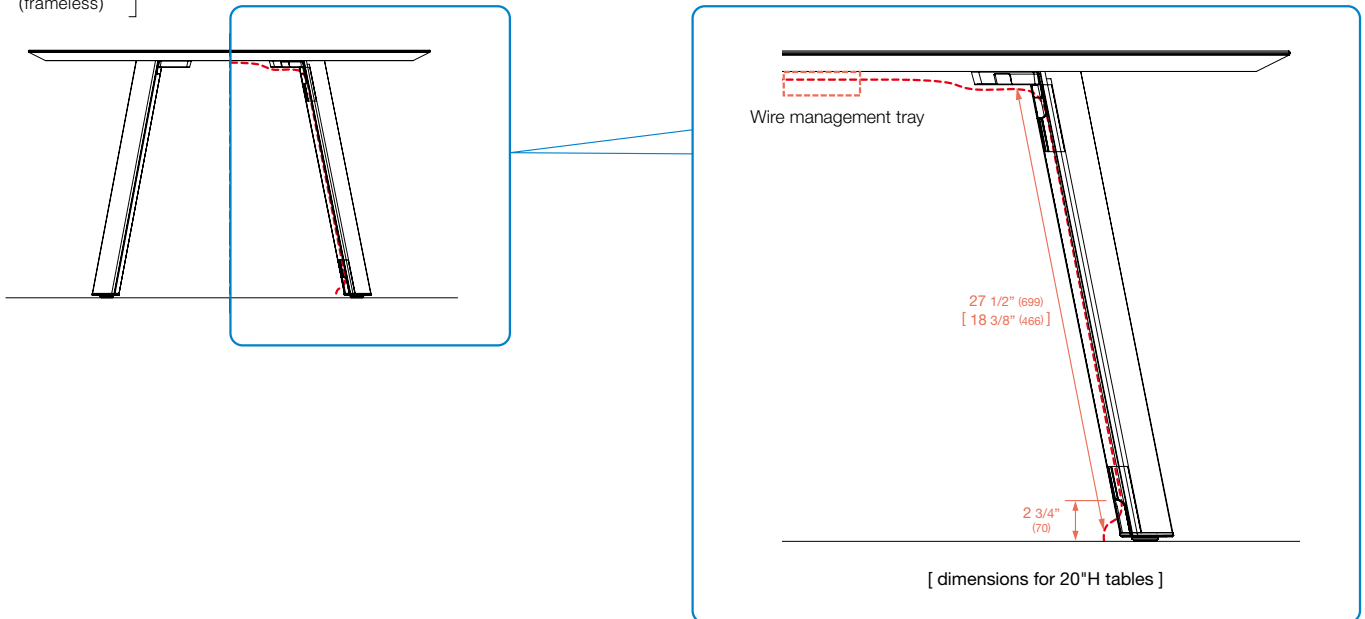


Wire routing detail | Small profile leg



Effective dimensions from the leg to the duct

[Small profile leg
(frameless)]



Wire Management Tray Kit

•For use with No Power/Tech Cradle/Wireless charging device/In-surface Power Unit w/Aluminum lid

•For use with In-surface Tech Port (trimless)

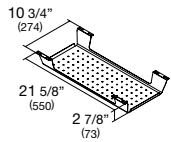
| | |
|---|------------------|
| Tray kit A - (1) D10-13/16" S | 4LWA1A-Z637/ZG29 |
| Tray kit B - (1) D10-13/16" L | 4LWA1B-Z637/ZG29 |
| Tray kit C - (2) D10-13/16" S | 4LWA1C-Z637/ZG29 |
| Tray kit D - (2) D16-1/4" S | 4LWA1D-Z637/ZG29 |
| Tray kit E - (1) D16-1/4" L | 4LWA1E-Z637/ZG29 |
| Tray kit F - (2) D10-13/16" S + (1) D10-13/16" L | 4LWA1F-Z637/ZG29 |
| Tray kit G - (2) D16-1/4" S + (1) D16-1/4" L | 4LWA1G-Z637/ZG29 |
| Tray kit H - (2) D22-13/16" S + (1) D22-13/16" L | 4LWA1H-Z637/ZG29 |
| Tray kit J - (1) W15-3/4" for 36" sq/round table | 4LWA1J-Z637/ZG29 |
| Tray kit K - (1) W20-9/16" for 42"~60" sq/round table | 4LWA1K-Z637/ZG29 |

| | |
|---|------------------|
| Tray kit A w/spacers - (1) D10-13/16" S | 4LWB1A-Z637/ZG29 |
| Tray kit B w/spacers - (1) D10-13/16" L | 4LWB1B-Z637/ZG29 |
| Tray kit C w/spacers - (2) D10-13/16" S | 4LWB1C-Z637/ZG29 |
| Tray kit D w/spacers - (2) D16-1/4" S | 4LWB1D-Z637/ZG29 |
| Tray kit E w/spacers - (1) D16-1/4" L | 4LWB1E-Z637/ZG29 |
| Tray kit F w/spacers - (2) D10-13/16" S + (1) D10-13/16" L | 4LWB1F-Z637/ZG29 |
| Tray kit G w/spacers - (2) D16-1/4" S + (1) D16-1/4" L | 4LWB1G-Z637/ZG29 |
| Tray kit H w/spacers - (2) D22-13/16" S + (1) D22-13/16" L | 4LWB1H-Z637/ZG29 |
| Tray kit K w/spacers - (1) W20-9/16" for 42"~60" sq/round table | 4LWB1K-Z637/ZG29 |

*In-surface Power Unit - Round rotate opening lid does not require a tray kit.

Z637 (Skip silver) / ZG29 (Black)

Tray Kit A



Item code : 4LWA1A-Z637/ZG29

- (1) Small (21 5/8"L) x 10 3/4"D

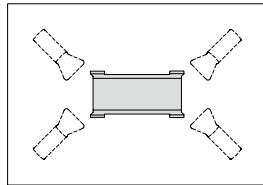
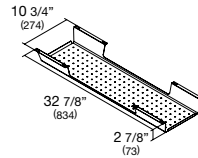


Table length : 60"
Table width : 30"/36"/42"

Small profile leg (frameless)

Tray Kit B



Item code : 4LWA1B-Z637/ZG29

- (1) Large (32 7/8"L) x 10 3/4"D

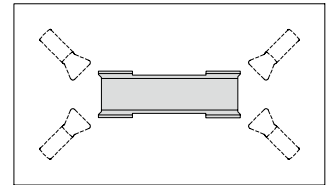
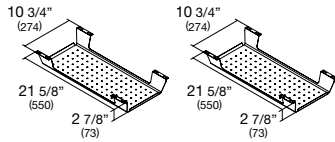


Table length : 72"
Table width : 36"/42"

Small profile leg (frameless)

Tray Kit C



Item code : 4LWA1C-Z637/ZG29

- (2) Small (21 5/8"L) x 10 3/4"D

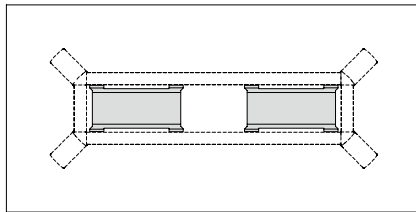


Table length : 84"/96"/108" Large profile leg (w/frame)
Table width : 42"/48"

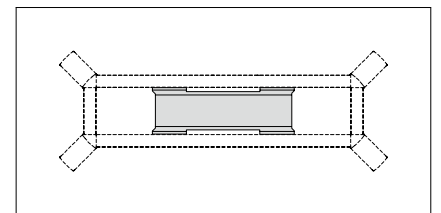
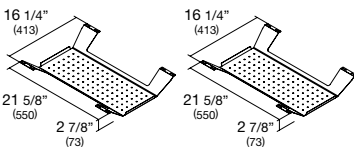


Table length : 84"/96"/108" Large profile leg (w/frame)
Table width : 42"/48"

Tray Kit D



Item code : 4LWA1D-Z637/ZG29

- (2) Small (21 5/8"L) x 16 1/4"D

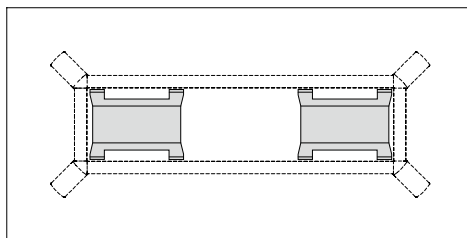
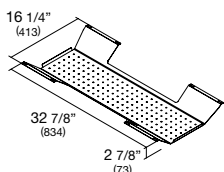


Table length : 108" Large profile leg (w/frame)
Table width : 54"

Tray Kit E



Item code : 4LWA1E-Z637/ZG29

- (1) Large (32 7/8"L) x 16 1/4"D

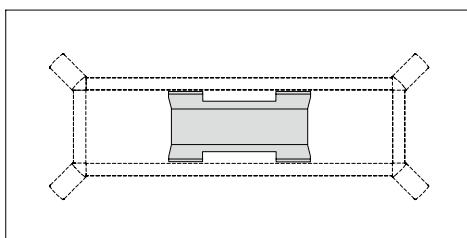
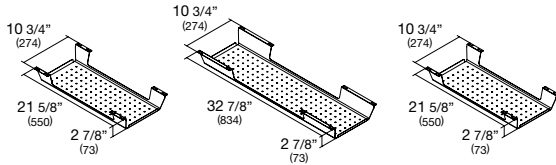


Table length : 108" Large profile leg (w/frame)
Table width : 54"

Wire Management Tray Kit

Tray Kit F



Item code : 4LWA1F-Z637/ZG29

- (2) Small (21 5/8"L) x 10 3/4"D
- (1) Large (32 7/8"L) x 10 3/4"D

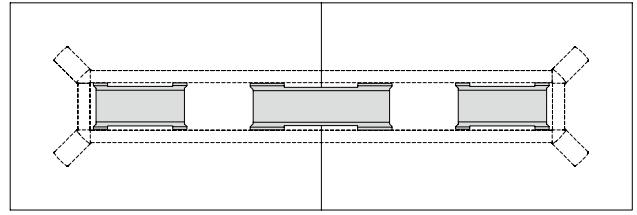
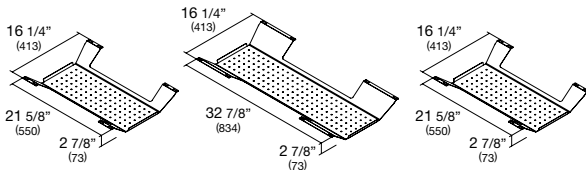


Table length : 120"/132"/144"
Table width : 48"

Large profile leg (w/frame)

Tray Kit G



Item code : 4LWA1G-Z637/ZG29

- (2) Small (21 5/8"L) x 16 1/4"D
- (1) Large (32 7/8"L) x 16 1/4"D

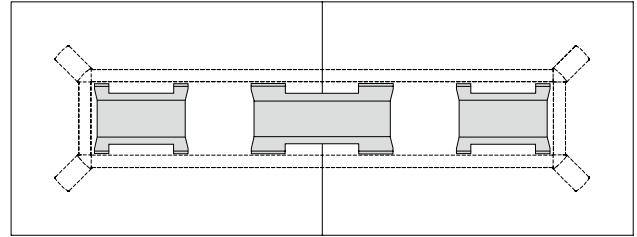
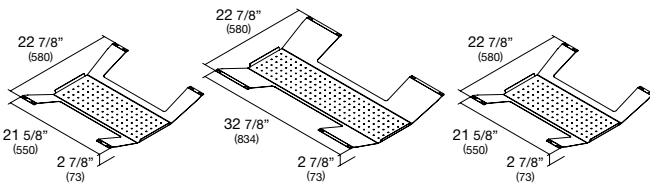


Table length : 120"/132"/144"
Table width : 54"

Large profile leg (w/frame)

Tray Kit H



Item code : 4LWA1H-Z637/ZG29

- (2) Small (21 5/8"L) x 22 7/8"D
- (1) Large (32 7/8"L) x 22 7/8"D

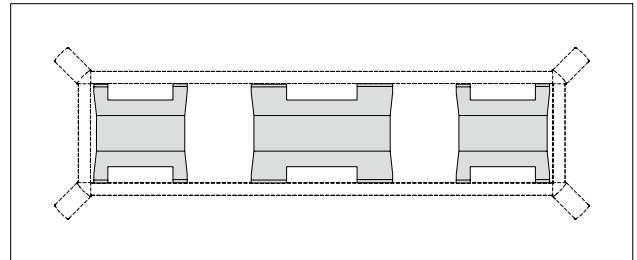
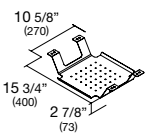


Table length : 120"/132"/144"
Table width : 60"

Large profile leg (w/frame)

Tray Kit J



Item code : 4LWA1J-Z637/ZG29

- (1) 15 3/4"L x 10 5/8"D

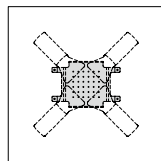


Table length : 36" sq/die
Small profile leg (frameless)

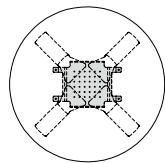
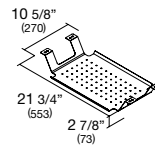


Table length : 36" sq/die
Small profile leg (frameless)

Tray Kit K



Item code : 4LWA1K-Z637/ZG29

- (1) 21 3/4"L x 10 5/8"D

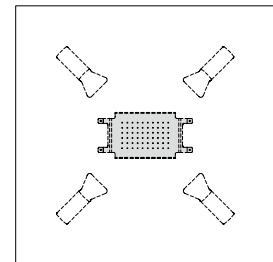


Table length : 42"/48"/54"/60" sq/dia
Small profile leg (frameless)

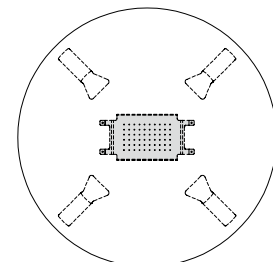


Table length : 42"/48"/54"/60" sq/dia
Small profile leg (frameless)

Wire Management Tray Kit

• Appropriate tray kit & Power unit availability per table size

1. No Power

Standard height 29"H

Rectangle

| | | Table length | | | | | | | |
|-------------|-----|--------------|-----|-----|-----|------|------|------|------|
| | | 60" | 72" | 84" | 96" | 108" | 120" | 132" | 144" |
| Table width | 36" | A | B | | | | | | |
| | 42" | A | B | B | B | C | | | |
| | 48" | | | B | B | C | F | F | F |
| | 54" | | | | | D | G | G | G |
| | 60" | | | | | | H | H | H |

Bar height 42"H

Rectangle

| | | Table length | | |
|-------------|-----|--------------|------|------|
| | | 96" | 120" | 144" |
| Table width | 42" | B | | |
| | 48" | | F | |
| | 54" | | | G |

Low height 20"H

Rectangle

| | | Table length | |
|-------------|-----|--------------|-----|
| | | 60" | 72" |
| Table width | 30" | A | |
| | 36" | | B |

Square/Round

| | | Table length | | | | |
|-------------|-----|--------------|-----|-----|-----|-----|
| | | 36" | 42" | 48" | 54" | 60" |
| Table width | 36" | J | | | | |
| | 42" | | K | | | |
| | 48" | | | K | | |
| | 54" | | | | K | |
| | 60" | | | | | K |

Square/Round

| | | Table length | | |
|-------------|-----|--------------|-----|-----|
| | | 36" | 42" | 48" |
| Table width | 36" | J | | |
| | 42" | | K | |
| | 48" | | | K |

2. Tech Cradle

Standard height 29"H

Rectangle

| | | Table length | | | | | | | |
|-------------|-----|--------------------|-----------|-----------|-----------|-----------|-----------|-----------|-----------|
| | | 60" | 72" | 84" | 96" | 108" | 120" | 132" | 144" |
| Table width | 36" | # of unit tray kit | up to 4 A | up to 4 B | | | | | |
| | 42" | # of unit tray kit | up to 4 A | up to 4 B | up to 4 B | up to 4 B | up to 6 C | | |
| | 48" | # of unit tray kit | | | up to 4 B | up to 4 B | up to 6 C | up to 6 F | up to 6 F |
| | 54" | # of unit tray kit | | | | | up to 6 D | up to 6 G | up to 6 G |
| | 60" | # of unit tray kit | | | | | | up to 6 H | up to 6 H |

Bar height 42"H

Rectangle

| | | Table length | | |
|-------------|-----|--------------------|-----------|-----------|
| | | 96" | 120" | 144" |
| Table width | 42" | # of unit tray kit | up to 4 B | |
| | 48" | # of unit tray kit | | up to 6 F |
| | 54" | # of unit tray kit | | up to 6 G |

Square/Round

| | | Table length | | | | |
|-------------|-----|--------------------|-----------|-----------|-----------|-----------|
| | | 36" | 42" | 48" | 54" | 60" |
| Table width | 36" | # of unit tray kit | up to 2 J | | | |
| | 42" | # of unit tray kit | | up to 2 K | | |
| | 48" | # of unit tray kit | | | up to 2 K | |
| | 54" | # of unit tray kit | | | | up to 2 K |
| | 60" | # of unit tray kit | | | | up to 2 K |

*Not available for low height tables.

3. Wireless charging device

Standard height 29"H

Rectangle

| | | Table length | | | | | | | |
|-------------|-----|--------------------|-----------|-----------|-----------|-----------|------------|------------|------------|
| | | 60" | 72" | 84" | 96" | 108" | 120" | 132" | 144" |
| Table width | 36" | # of unit tray kit | up to 6 A | up to 6 B | | | | | |
| | 42" | # of unit tray kit | up to 6 A | up to 6 B | up to 8 B | up to 8 B | up to 10 C | | |
| | 48" | # of unit tray kit | | | up to 8 B | up to 8 B | up to 10 C | up to 10 F | up to 14 F |
| | 54" | # of unit tray kit | | | | | up to 10 D | up to 10 G | up to 14 G |
| | 60" | # of unit tray kit | | | | | | up to 10 H | up to 14 H |

Bar height 42"H

Rectangle

| | | Table length | | |
|-------------|-----|--------------------|-----------|------------|
| | | 96" | 120" | 144" |
| Table width | 42" | # of unit tray kit | up to 8 B | |
| | 48" | # of unit tray kit | | up to 10 F |
| | 54" | # of unit tray kit | | up to 14 G |

Low height 20"H

Rectangle

| | | Table length | |
|-------------|-----|--------------------|-----------|
| | | 60" | 72" |
| Table width | 30" | # of unit tray kit | up to 6 A |
| | 36" | # of unit tray kit | up to 6 B |

Square/Round

| | | Table length | | | | |
|-------------|-----|--------------------|-----------|-----------|-----------|-------------|
| | | 36" | 42" | 48" | 54" | 60" |
| Table width | 36" | # of unit tray kit | up to 4 J | | | |
| | 42" | # of unit tray kit | | up to 4 K | | |
| | 48" | # of unit tray kit | | | up to 4 K | |
| | 54" | # of unit tray kit | | | | up to 8/6 K |
| | 60" | # of unit tray kit | | | | up to 8/6 K |

Square/Round

| | | Table length | | |
|-------------|-----|--------------------|-----------|-----------|
| | | 36" | 42" | 48" |
| Table width | 36" | # of unit tray kit | up to 4 J | |
| | 42" | # of unit tray kit | | up to 4 K |
| | 48" | # of unit tray kit | | up to 4 K |

Wire Management Tray Kit

•Appropriate tray kit & Power unit availability per table size

4. In-surface Power Unit - Rectangle w/Aluminum lid

Standard height 29"H

Rectangle

| | | Table length | | | | | | | | | | | | | | |
|-------------|-----|--------------------|-----|-----|-----|-----|-----|------|-----|------|-----|------|-----|------|-----|-----|
| | | 60" | 72" | 84" | | 96" | | 108" | | 120" | | 132" | | 144" | | |
| Table width | 36" | # of unit tray kit | 1 A | 1 B | | | | | | | | | | | | |
| | 42" | # of unit tray kit | 1 A | 1 B | 1 B | 2 C | 1 B | 2 C | 1 B | 2 C | | | | | | |
| | 48" | # of unit tray kit | | | 1 B | 2 C | 1 B | 2 C | 1 B | 2 C | 2 F | 4 F | 2 F | 4 F | 2 F | 4 F |
| | 54" | # of unit tray kit | | | | | | | 1 E | 2 D | 2 G | 4 G | 2 G | 4 G | 2 G | 4 G |
| | 60" | # of unit tray kit | | | | | | | | | 2 H | 4 H | 2 H | 4 H | 2 H | 4 H |

Square/Round

| | | Table length | | | | |
|-------------|-----|--------------------|------|-----|-----|-----|
| | | 36" | 42" | 48" | 54" | 60" |
| Table width | 36" | # of unit tray kit | NA - | | | |
| | 42" | # of unit tray kit | | 1 K | | |
| | 48" | # of unit tray kit | | | 1 K | |
| | 54" | # of unit tray kit | | | | 1 K |
| | 60" | # of unit tray kit | | | | 1 K |

Bar height 42"H

Rectangle

| | | Table length | | | | | |
|-------------|-----|--------------------|-----|------|-----|------|-----|
| | | 96" | | 120" | | 144" | |
| Table width | 42" | # of unit tray kit | 1 B | 2 C | | | |
| | 48" | # of unit tray kit | | | 2 F | 4 F | |
| | 54" | # of unit tray kit | | | | | 2 G |

*Not available for low height tables.

5. In-surface Power Unit - Tech Port w/Trimless matched lid

Standard height 29"H

Rectangle

| | | Table length | | | | | | | | | | | | | | |
|-------------|-----|--------------------|--------------|--------------|--------------|--------------|--------------|--------------|--------------|--------------|--------------|--------------|--------------|--------------|--------------|--------------|
| | | 60" | 72" | 84" | | 96" | | 108" | | 120" | | 132" | | 144" | | |
| Table width | 36" | # of unit tray kit | 1 A w/spacer | 1 B w/spacer | | | | | | | | | | | | |
| | 42" | # of unit tray kit | 1 A w/spacer | 1 B w/spacer | 1 B w/spacer | 2 C w/spacer | 1 B w/spacer | 2 C w/spacer | 1 B w/spacer | 2 C w/spacer | | | | | | |
| | 48" | # of unit tray kit | | | 1 B w/spacer | 2 C w/spacer | 1 B w/spacer | 2 C w/spacer | 1 B w/spacer | 2 C w/spacer | 2 F w/spacer | 4 F w/spacer | 2 F w/spacer | 4 F w/spacer | 2 F w/spacer | 4 F w/spacer |
| | 54" | # of unit tray kit | | | | | | | 1 E w/spacer | 2 D w/spacer | 2 G w/spacer | 4 G w/spacer | 2 G w/spacer | 4 G w/spacer | 2 G w/spacer | 4 G w/spacer |
| | 60" | # of unit tray kit | | | | | | | | | 2 H w/spacer | 4 H w/spacer | 2 H w/spacer | 4 H w/spacer | 2 H w/spacer | 4 H w/spacer |

Square/Round

| | | Table length | | | | |
|-------------|-----|--------------------|------|--------------|--------------|--------------|
| | | 36" | 42" | 48" | 54" | 60" |
| Table width | 36" | # of unit tray kit | NA - | | | |
| | 42" | # of unit tray kit | | 1 K w/spacer | | |
| | 48" | # of unit tray kit | | | 1 K w/spacer | |
| | 54" | # of unit tray kit | | | | 1 K w/spacer |
| | 60" | # of unit tray kit | | | | 1 K w/spacer |

Bar height 42"H

Rectangle

| | | Table length | | | | | |
|-------------|-----|--------------------|--------------|--------------|--------------|--------------|--------------|
| | | 96" | | 120" | | 144" | |
| Table width | 42" | # of unit tray kit | 1 B w/spacer | 2 C w/spacer | | | |
| | 48" | # of unit tray kit | | | 2 F w/spacer | 4 F w/spacer | |
| | 54" | # of unit tray kit | | | | | 2 G w/spacer |

*Not available for low height tables.

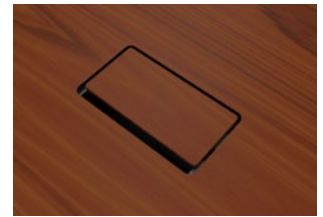
Tech Port

The Tech Port is a power and data unit which has a flush-mounted hatch that is beautifully embedded in the tabletop and is available in various finishes such as veneer, laminate, Corian®, and glass. It is generally comprised of a power supply portion (left) and a data plate cutout (right) which can offer a variety of data plates required in conference rooms, including a retractable HDMI cable.

- Lid finish is same as the top finish.
- Two cord options (Plug-in/Hardwire) & two cord lengths (72"/120")
- One convenient power outlet standard on the bottom side of power unit.
- Standard Data plate options :
 - a) blank plate b) AV c) Phone/Data d) HDMI retractable cable.
- Other data plate options available as custom.
- Cables to connect each Data module such as HDMI cables and Phone/Data cables must be purchased separately.
- The power unit of Tech Port is ETL listed for upholding strict safety standards.

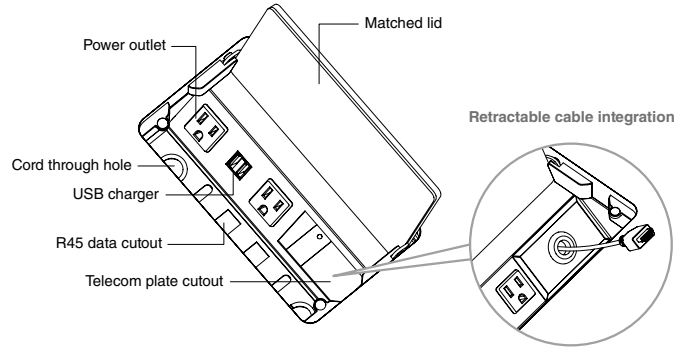


Open



Closed

Part Name



Dimensions

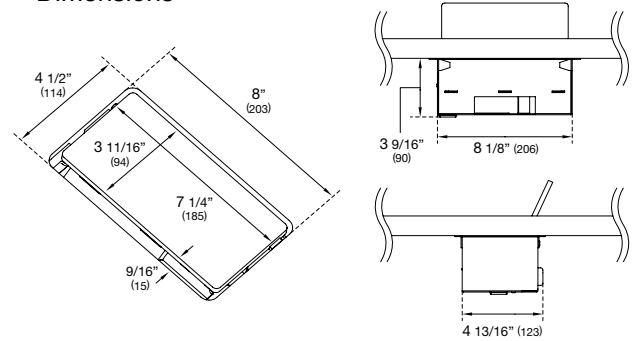
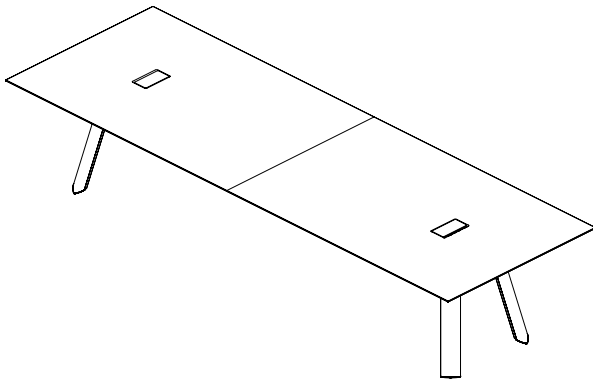
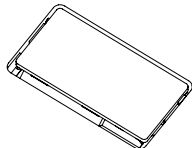
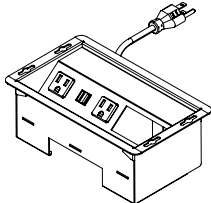

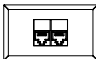
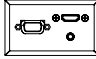
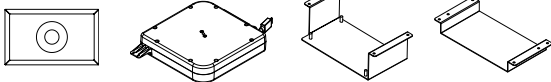


Table view



| | | | |
|--|--|---|--|
| Matched trimless lid & Cutout processing charge  | *Lid finish will be same as the top finish. | Lid material Laminate Veneer Corian® Glass | Code 4LPA3A-MDM□ 4LPA3A-W□□□ 4LPA3A-GC□□ 4LPA3A-H28□ |
| | | Power unit  | Configuration 2 Power +1 Dual USB charger +1 Telecom Plate cutout 2 Power + 1 Telecom Plate cutout 2 Power +1 Dual USB charger +1 Telecom Plate cutout 2 Power + 1 Telecom Plate cutout 2 Power +1 Dual USB charger +1 Telecom Plate cutout 2 Power + 1 Telecom Plate cutout 2 Power +1 Dual USB charger +1 Telecom Plate cutout 2 Power + 1 Telecom Plate cutout |
| Telecom Plate  | Blank plate | | 4LPA4A-Y647 |
|  | (1) RJ11 Cat 3 Phone Jack (1) RJ45 Cat 6 Data Jack | | 4LPA4B-Y647 |
|  | (1) HDMI Female/Female with 36" patch cord (1) Mini Stereo Inline (1) 15 Pin HD VGA Female/Female with 60" patch cord | | 4LPA4C-Y647 |
| HDMI Retractable cable Mounting kit  | Content (1) Telecom Plate with rubber bushing (1) HDMI Retractable cable *5' expandable (1) Mounting bracket kit | | 4LPA5A-Y647 |

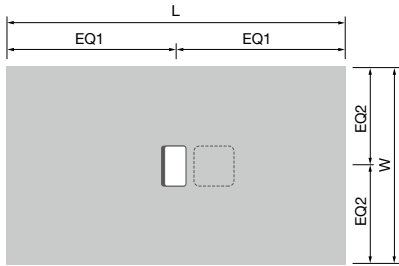
Common Specification : Color matched lid with tabletop, Steel lid bracket (Black), Steel power unit housing (Black)

Tech Port

Available position & qty diagram

Rectangle

Table length : 60"/ 72"



 : Retractable HDMI cable (Option)

Table length : 84"/ 96"/ 108"

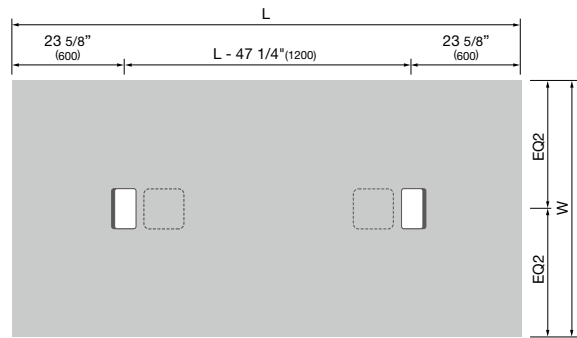
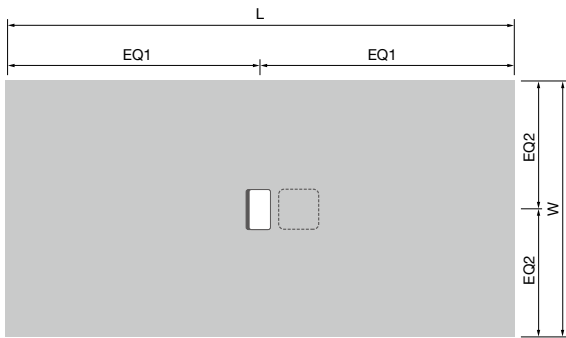
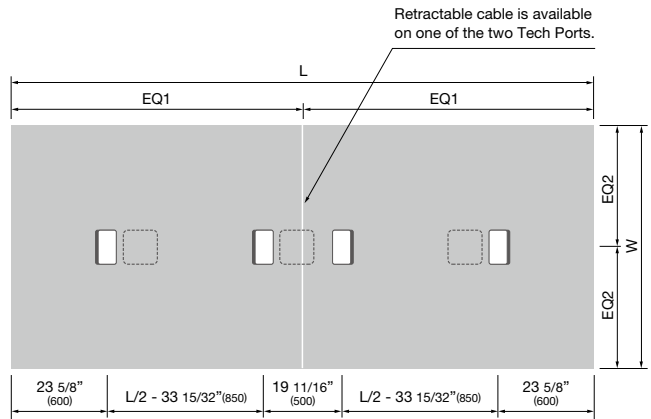
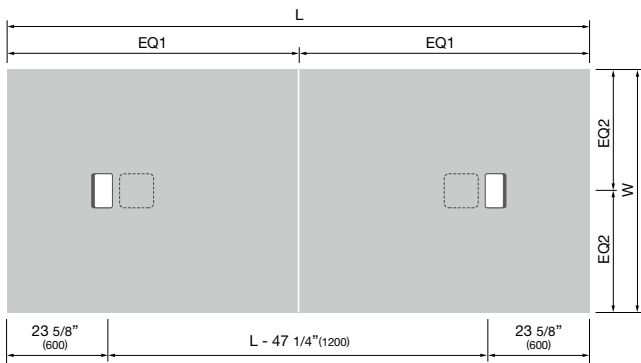
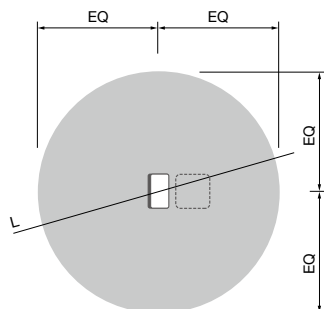
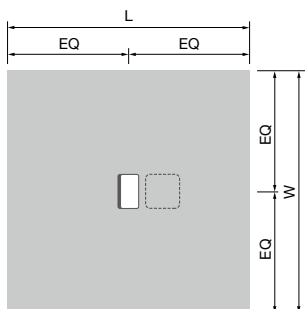


Table length : 120"/ 132"/ 144"



Square / Round

Table length : 42"/ 48"/ 54"/ 60"



*Tech Port is not available on 36" sq/round tables.

In-surface - Rectangle aluminum lid

The rectangle aluminum lid makes in-surface power and data units neat and yet it offers the required power and data function for a conference room. There are four ports which can be a combination of power, USB charging ports, and open data ports.

- Three finish color options (Matte Black/Matte White/Matte Fog)
- Two cord options (Plug-in/Hardwire) & Two cord lengths (72"/120")
- (6) data connector options available for the open data port.
- Cables to connect each Data module such as HDMI cables and Phone/Data cables must be purchased separately.
- The in-surface power unit - rectangle aluminum lid is UL listed for upholding strict safety standards.

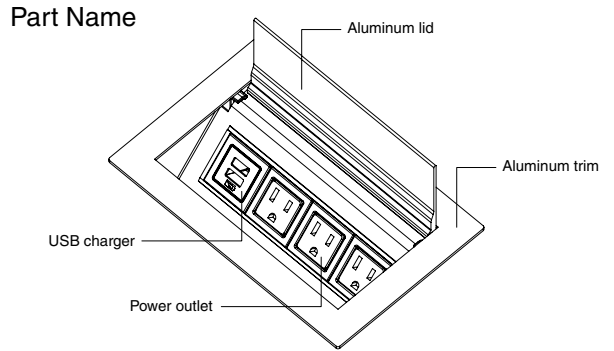
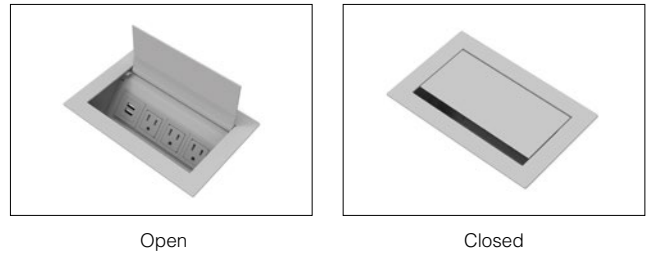
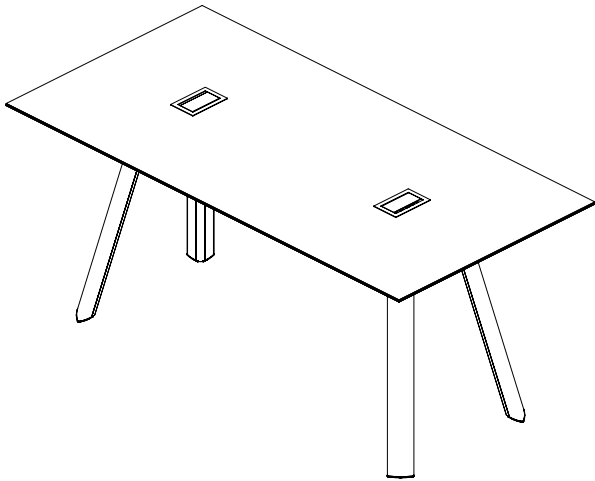
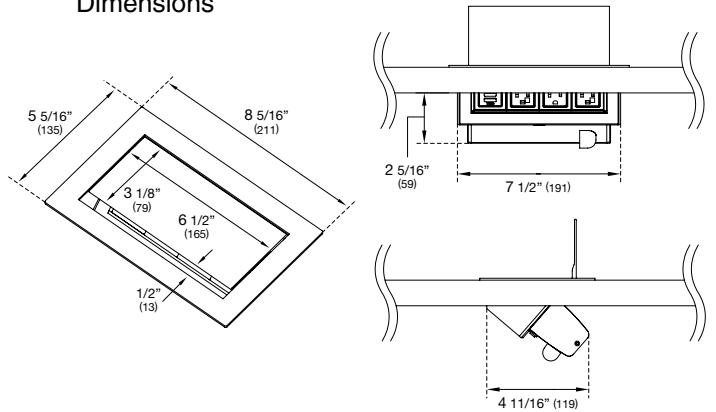


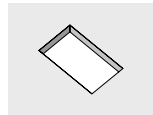
Table view



Dimensions



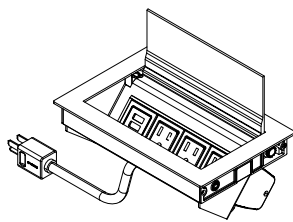
Cutout processing charge



Code

4LPB3A-Y647

Power unit w/Aluminum lid



Color



Configuration

Power cord

Code

| | | |
|--|------------------------|-----------------------|
| 4 Power | | 4LPB1A-Y982/Y983/Y984 |
| 3 Power + 1 Dual USB charger | (1) 72" pulg-in cord | 4LPB1B-Y982/Y983/Y984 |
| 2 Power + 1 Dual USB charger + 1 Open data | | 4LPB1C-Y982/Y983/Y984 |
| 4 Power | | 4LPB1D-Y982/Y983/Y984 |
| 3 Power + 1 Dual USB charger | (1) 72" hardwire cord | 4LPB1E-Y982/Y983/Y984 |
| 2 Power + 1 Dual USB charger + 1 Open data | | 4LPB1F-Y982/Y983/Y984 |
| 4 Power | | 4LPB1G-Y982/Y983/Y984 |
| 3 Power + 1 Dual USB charger | (1) 120" pulg-in cord | 4LPB1H-Y982/Y983/Y984 |
| 2 Power + 1 Dual USB charger + 1 Open data | | 4LPB1J-Y982/Y983/Y984 |
| 4 Power | | 4LPB1K-Y982/Y983/Y984 |
| 3 Power + 1 Dual USB charger | (1) 120" hardwire cord | 4LPB1L-Y982/Y983/Y984 |
| 2 Power + 1 Dual USB charger + 1 Open data | | 4LPB1M-Y982/Y983/Y984 |

Data connector for Open data port

Configuration

Code

| | |
|---|-------------|
| HDMI Female/Female connector with 18" cord | 4LPB4A-Y647 |
| Mini DisplayPort Female/Female connector with 2.5M cord | 4LPB4B-Y647 |
| CAT6 Male/Female connector with 72" cord | 4LPB4C-Y647 |
| RJ-11 Male/Female connector with 84" cord | 4LPB4D-Y647 |
| Pasive USB-A Male/Female connector with 72" cord | 4LPB4E-Y647 |
| Passive USB-C Male/Female connector with 1.8m cord | 4LPB4F-Y647 |

Common Specification : Powder coated aluminum lid & trim, Anodized aluminum housing

In-surface - Rectangle aluminum lid

Available position & qty diagram

Rectangle

Table length : 60"/ 72"

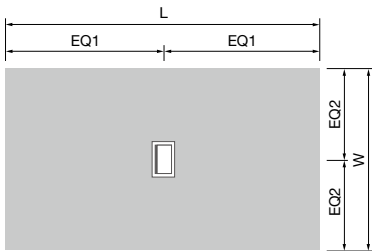


Table length : 84"/ 96"/ 108"

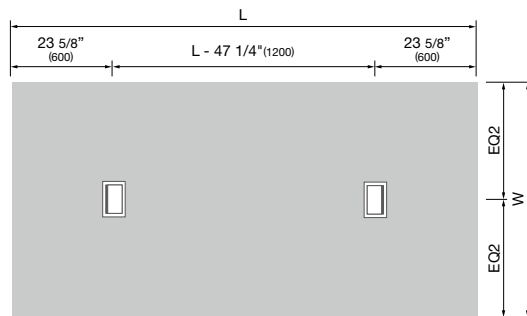
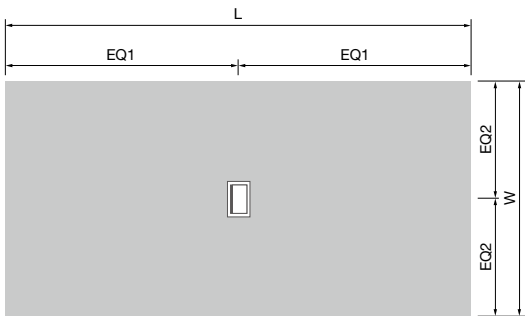
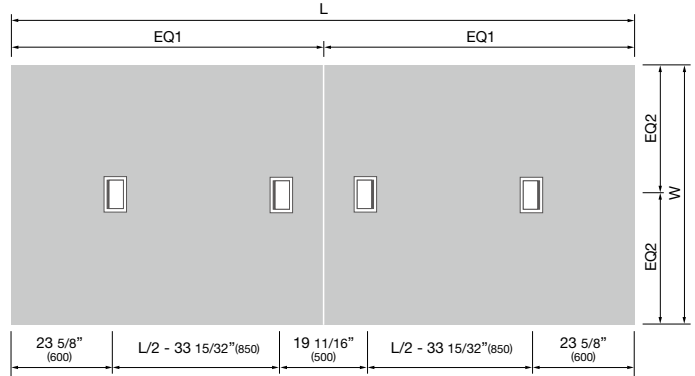
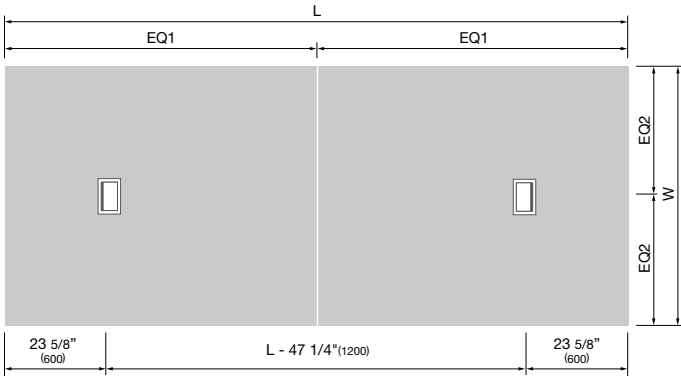
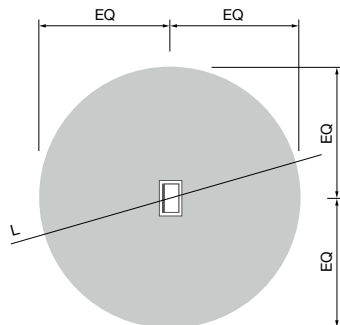
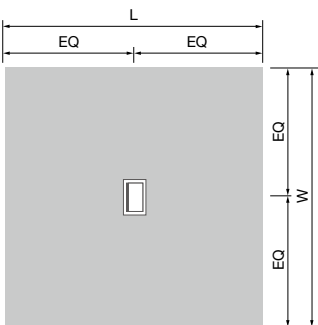


Table length : 120"/ 132"/ 144"



Square / Round

Table length : 42"/ 48"/ 54"/ 60"



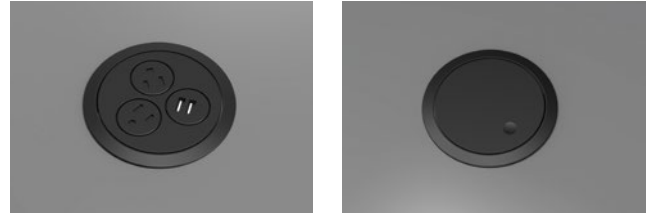
*Rectangle aluminum lid is not available on 36" sq/round tables.

In-surface - Round rotate opening lid

The spherical multiple-plug outlet can be rotated manually to conceal the outlets when access is not required. The soft touch plastic helps the unit to blend into the top when the outlets are concealed.

There are three ports which could be combined with power and USB charger.

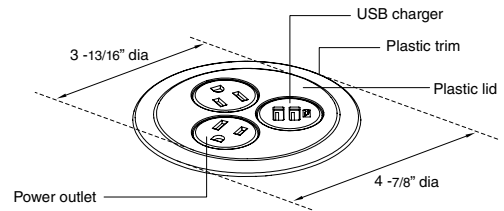
- Two finish options (Soft touch Black/Soft touch White)
- Only available in Plug-in cord.
- The in-surface power unit - round rotate opening lid is UL listed for upholding strict safety standards.
- Data port is not available.



Open

Closed

Part Name



Dimensions

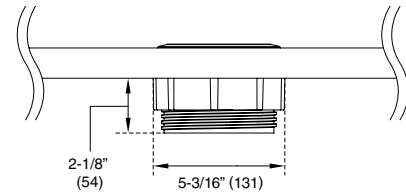
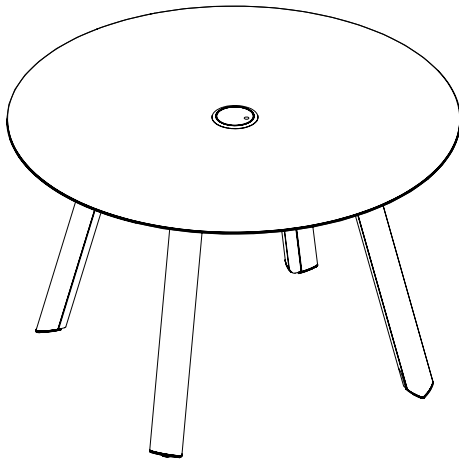
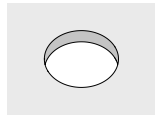


Table view



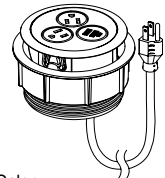
Cutout processing charge

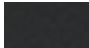



Code

4LPC3A-Y647

Power unit w/Plastic flip lid



| Color | |
|---|---|
|  |  |
| Y985 Soft touch Black | Y986 Soft touch White |

| Configuration | Color | Code |
|---|-------------------------|-------------|
| 3 Power w/72" plug-in cord | Soft touch Black (Y985) | 4LPC1A-Y985 |
| | Soft touch White (Y986) | 4LPC1A-Y986 |
| 2 Power + 1 Dual USB charger w/72" plug-in cord | Soft touch Black (Y985) | 4LPC1B-Y985 |
| | Soft touch White (Y986) | 4LPC1B-Y986 |

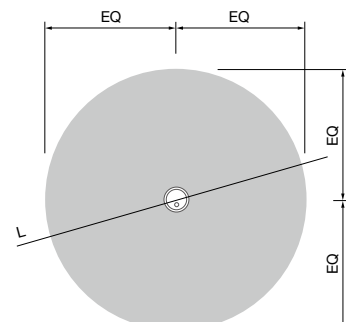
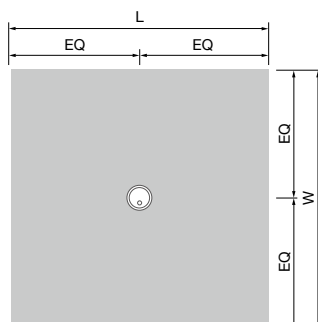
Common Specification : Soft touch finish Plastic lid and trim

*Round rotate open power unit does not require a wire management tray kit.

Available position & qty diagram

Square / Round

Table length : 36"/42"/ 48"/ 54"/ 60"



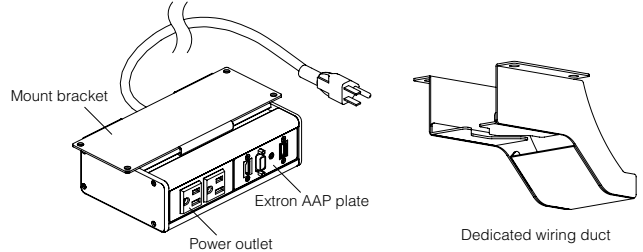
Tech Cradle

The Tech Cradle is a power and data supply unit created specially for the Traverse collection. It discreetly mounts under the tabletop.

- Tech Cradle is designed to accept Extron AAP plates.
- Standard Data module options : a) blank plate b) AV c) Phone/Data.
- Cables to connect to each Data module such as HDMI cables and Phone/Data cables must be purchased separately.
- Standard Extron AAP plates can also be integrated in the Tech Cradle. For special applications specify a blank plate and purchase Extron AAP plates directly from Extron : <http://www.extron.com/company/article.aspx?id=aapmaap>. It is the responsibility of the user's technical staff to field install. Opening of data module allows for two single AAP plates.
- The Tech Cradle is UL listed for upholding strict safety standards.



Part Name



Dimensions

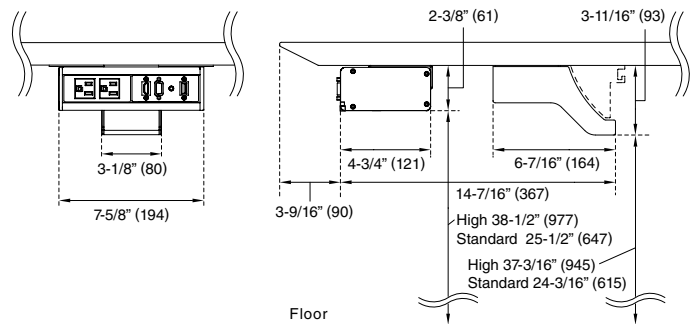
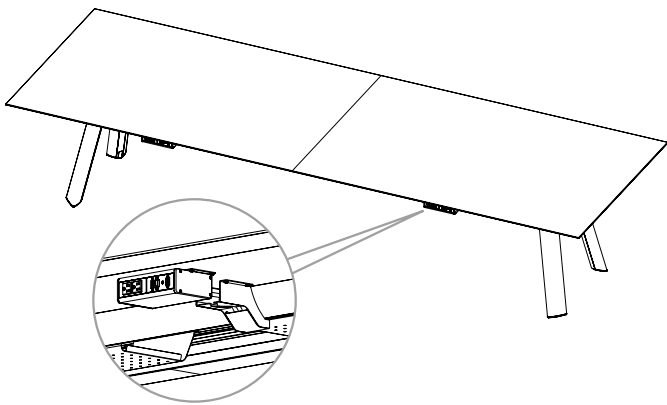
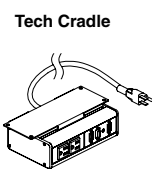


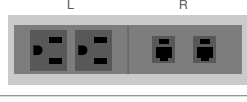
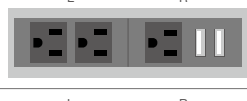


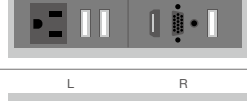

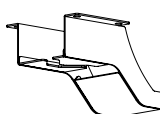
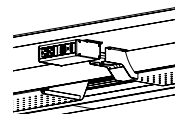


Table view



| | L module | R module | Power cord | Code | |
|---|--|--|---|--------------------------|-------------|
|  |  <p>Two Power Outlets</p> | Blank Plate | (1) 72" cord with plug (1) 72" hardwire cord | 4LPD1A-A03 4LPD1J-A03 | |
| |  <p>Two Power Outlets</p> | AV (1) HDMI (1) VGA (1) AUDIO (1) USB signal | (1) 72" cord with plug (1) 72" hardwire cord | 4LPD1B-A03 4LPD1K-A03 | |
| |  <p>Two Power Outlets</p> | Phone/Data (1)RJ-11 w/72" cable (1)RJ-45 CAT6 Jack w/72" cable | (1) 72" cord with plug (1) 72" hardwire cord | 4LPD1C-A03 4LPD1L-A03 | |
| |  <p>Two Power Outlets</p> | One Power Outlet Two USB Chargers | (2) 72" cord with plug (2) 72" hardwire cord | 4LPD1D-A03 4LPD1M-A03 | |
| |  <p>Two Power Outlets</p> | Two Power Outlets | (2) 72" cord with plug (2) 72" hardwire cord | 4LPD1E-A03 4LPD1N-A03 | |
| |  <p>One Power Outlet Two USB Chargers</p> | Blank Plate | (1) 72" cord with plug (1) 72" hardwire cord | 4LPD1F-A03 4LPD1P-A03 | |
| |  <p>One Power Outlet Two USB Chargers</p> | AV (1) HDMI (1) VGA (1) AUDIO (1) USB signal | (1) 72" cord with plug (1) 72" hardwire cord | 4LPD1G-A03 4LPD1Q-A03 | |
| |  <p>One Power Outlet Two USB Chargers</p> | Phone/Data (1)RJ-11 w/72" cable (1)RJ-45 CAT6 Jack w/72" cable | (1) 72" cord with plug (1) 72" hardwire cord | 4LPD1H-A03 4LPD1R-A03 | |
| | | | | Color | Code |
| | Dedicated wiring duct for large tables w/frame *Not required for table size below 84"L | | | Skip silver (Z637) | 4LPD2A-Z637 |
|   | | | Black (ZG29) | 4LPD2A-ZG29 | |

Common Specification : Anodized aluminum housing, Steel bracket, Steel wiring duct

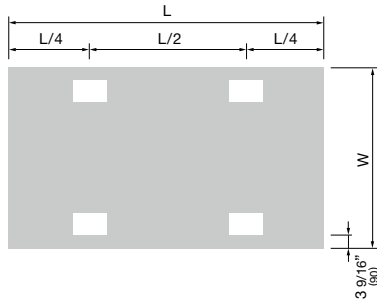
Tech Cradle

Available position & qty diagram

Rectangle

Table length : 60"/ 72"

Up to (4) Tech Cradles



*Insert nuts are pre-installed on top. Select the position & qty of Tech Cradle on site based upon this diagram.



Table length : 84"/ 96"

Up to (4) Tech Cradles with wiring duct

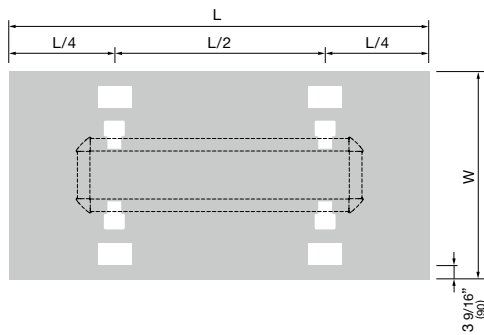
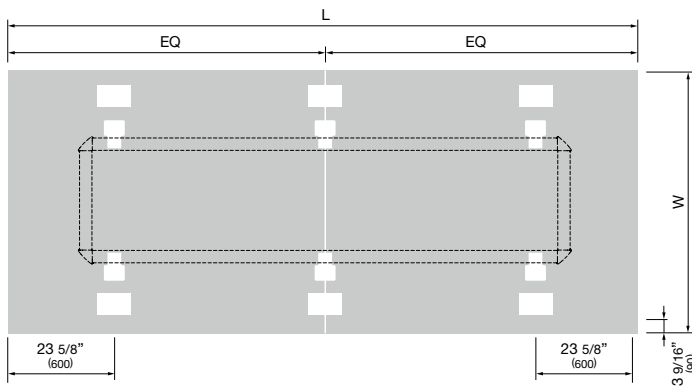


Table length : 108"/ 120"/ 132"/ 144"

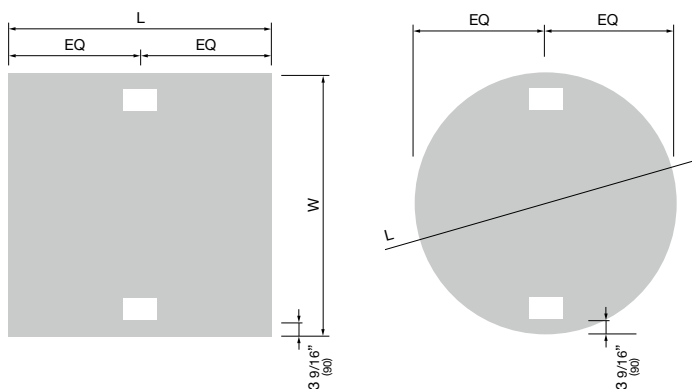
Up to (6) Tech Cradles with wiring duct



Square / Round

Table length : 36"/ 42"/ 48"/ 54"/ 60"

Up to (2) Tech Cradles



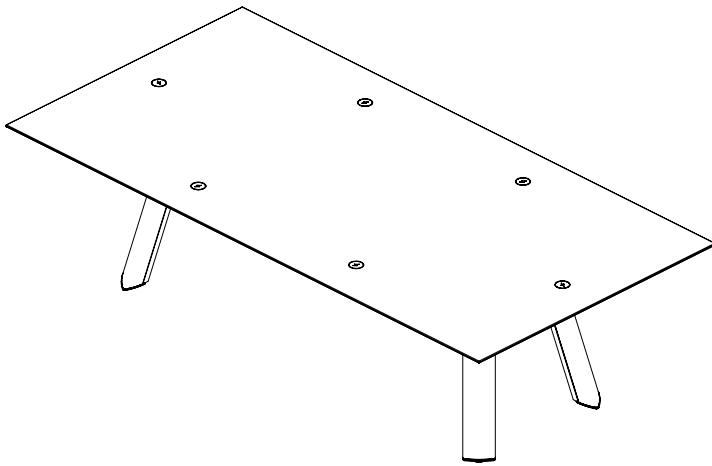
Wireless charger

The Satellite tables can also offer wireless charging capability for mobile devices. The wireless charging device mounts underneath the tabletop to maintain a seamless and clean worksurface.

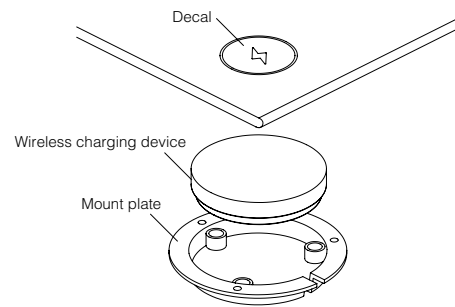
- Multi unit power supply can connect with up to 4 units from one infeed.
- Power output : 15W
- Power supply : 19V 1350mA
- Wireless Power Protocols : WPC 1.2
- May not work with glass tops
- The wireless charger is UL listed for upholding strict safety standards.



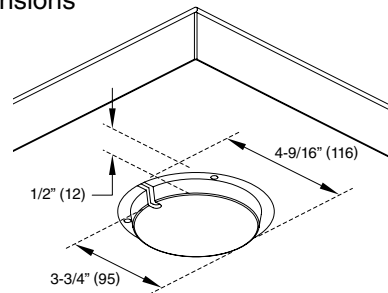
Table view






Part Name



Dimensions




| | | |
|---|---|-------------|
| Underside pocket processing charge |  | Code |
| | | 4LPE3A-Y647 |

| | Part | Code |
|---------------------------------|---|-------------|
| Wireless charging device |  Wireless charging device & Mounting plate | 4LPE1A-Y647 |
| |  Single unit power supply w/5' cord | 4LPE1B-Y647 |
| |  Multi unit power supply *up to 4 units | 4LPE1C-Y647 |

Common Specification : Clear round decal w/white or black mark, Plastic mount plate

Tabletop grommet

| Tabletop grommet (Cap & Liner) |  | Color | Code |
|---|---|-----------------------|-------------|
| | | Matte Black (T56) | 4LPG1A-T56 |
| | | Polished Chrome (T01) | 4LPG1A-T01 |
| | | Satin Chrome (T57) | 4LPG1A-T57 |

*1-7/8" dia hole processing charge included.

Common Specification : 2" dia cap & liner (solid brass)

Wireless charger

Available position & qty diagram

Rectangle

*Specify the position & qty from this availability diagram before order.

Table length : 60"/ 72"
Up to (6) Wireless chargers

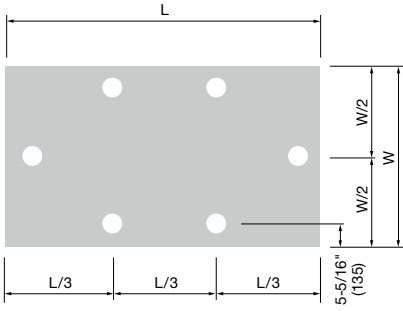


Table length : 84"/ 96"
Up to (8) Wireless chargers

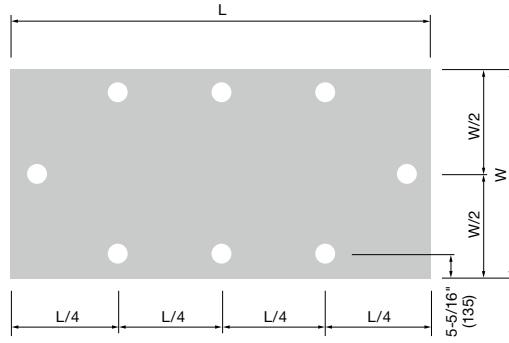


Table length : 108"/ 120"
Up to (10) Wireless chargers

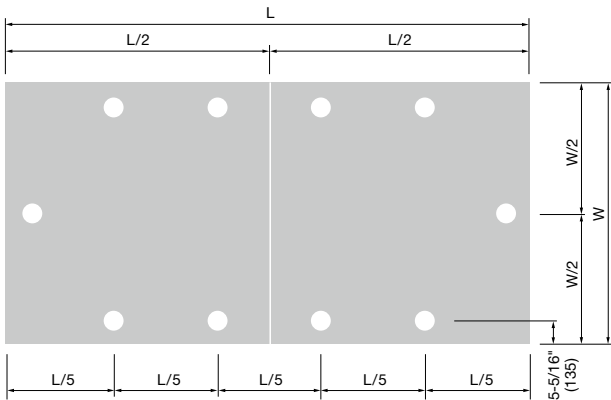
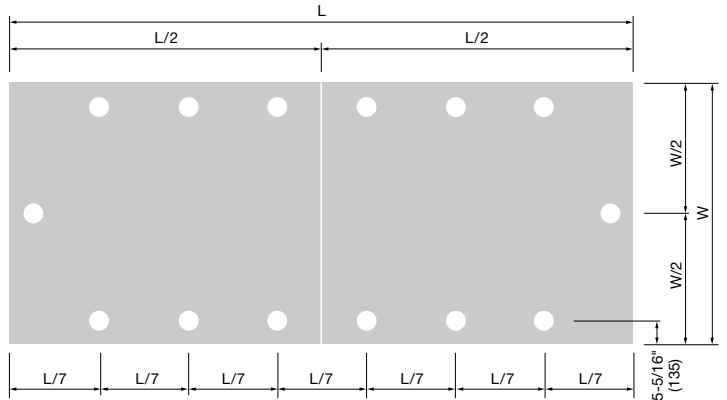


Table length : 132"/ 144"
Up to (14) Wireless chargers



Square / Round

Table length : 36"/ 42"/ 48"
Up to (4) Wireless chargers

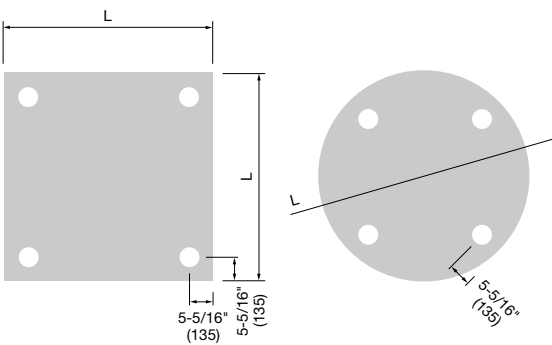
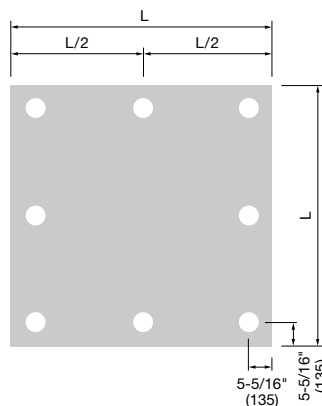
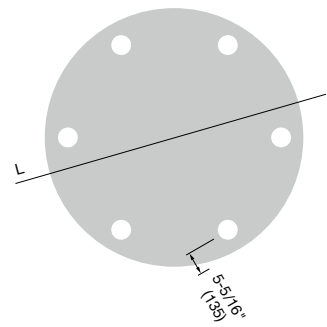


Table length : 54"/ 60"
Up to (8) Wireless chargers



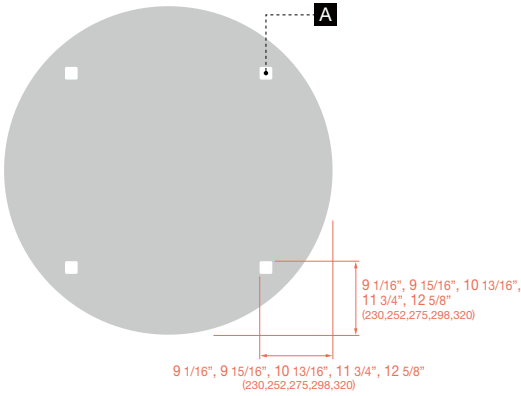
Up to (6) Wireless chargers



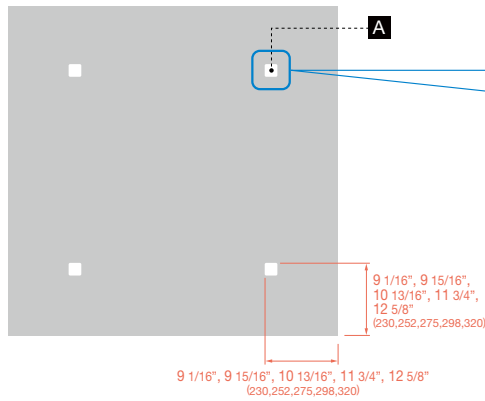
Wire entry position diagram

Standard Height

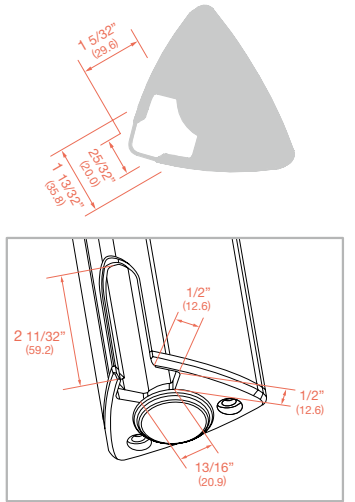
Round - 36"/42"/48"/54"/60"
Small profile leg (frameless)



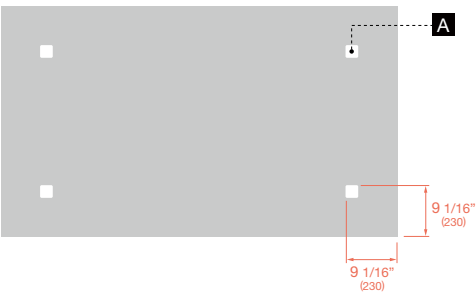
Square - 36"/42"/48"/54"/60"
Small profile leg (frameless)



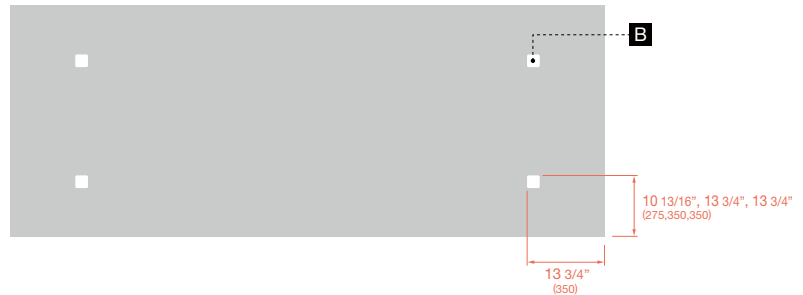
A Small profile leg (frameless)



Rectangle - L 60"/72"
- D 36"/42"
Small profile leg (frameless)



Rectangle - L 84"/96"/108"
- D 42"/48"/54"
Large profile leg (w/frame)

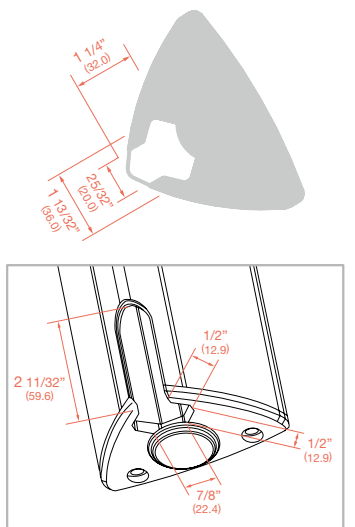


- All four legs have a wire entry opening on the bottom.
- One of four wiring covers on leg has a removable cap to allow a wire entry from side.
- Orientation of each leg is symmetric.

Rectangle - L 120"/132"/144"
- D 48"/54"/60"
Large profile leg (w/frame)



B Large profile leg (w/frame)



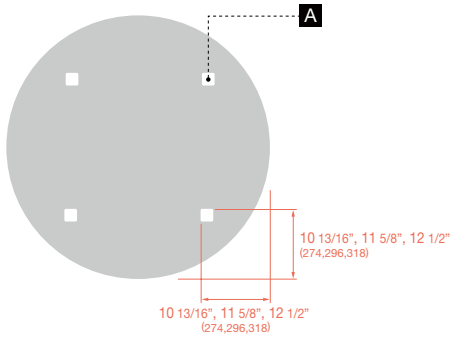
- All four legs have a wire entry opening on the bottom.
- One of four wiring covers on leg has a removable cap to allow a wire entry from side.
- Orientation of each leg is symmetric.

inches (mm)

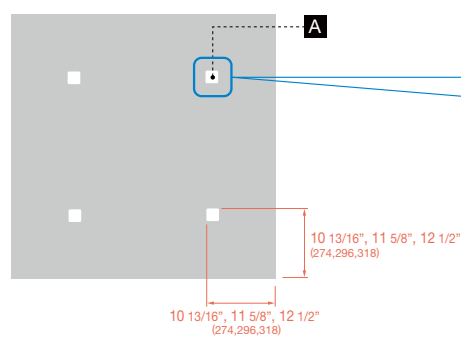
Wire entry position diagram

Low Height

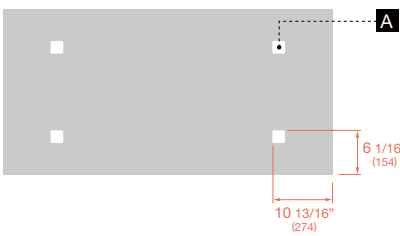
Round - 36"/42"/48"
Small profile leg (frameless)



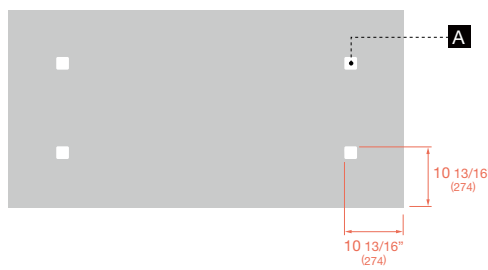
Square - 36"/42"/48"
Small profile leg (frameless)



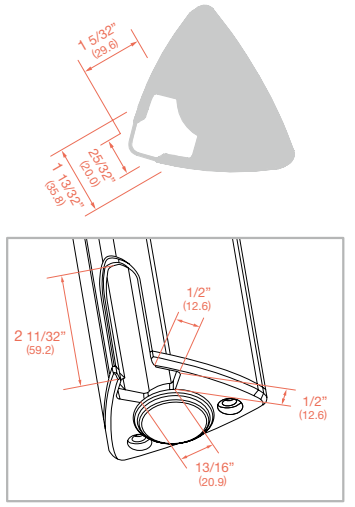
Rectangle - L 60" W 30"
Small profile leg (frameless)



Rectangle - L 72" W 36"
Small profile leg (frameless)



A Small profile leg (frameless)



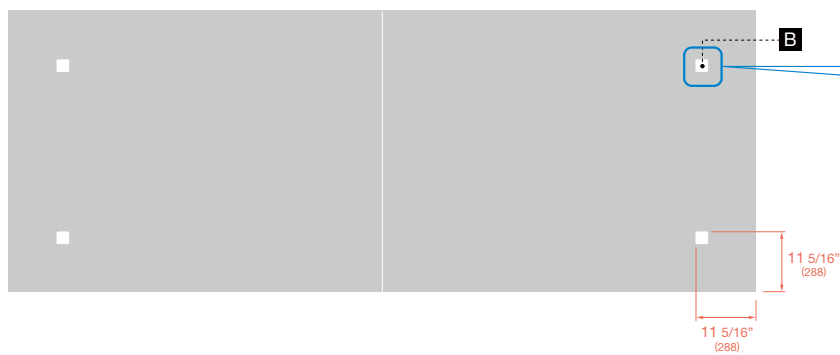
- All four legs have a wire entry opening on the bottom.
- One of four wiring covers on leg has a removable cap to allow a wire entry from side.
- Orientation of each leg is symmetric.

Bar Height

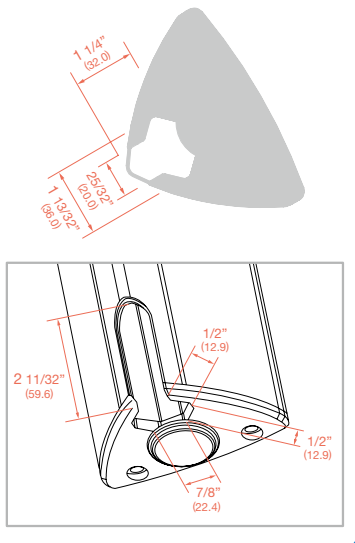
Rectangle - L 96" W 42"
Large profile leg (w/frame)



Rectangle - L 120" W 48"
Rectangle - L 144" W 54"
Large profile leg (w/frame)



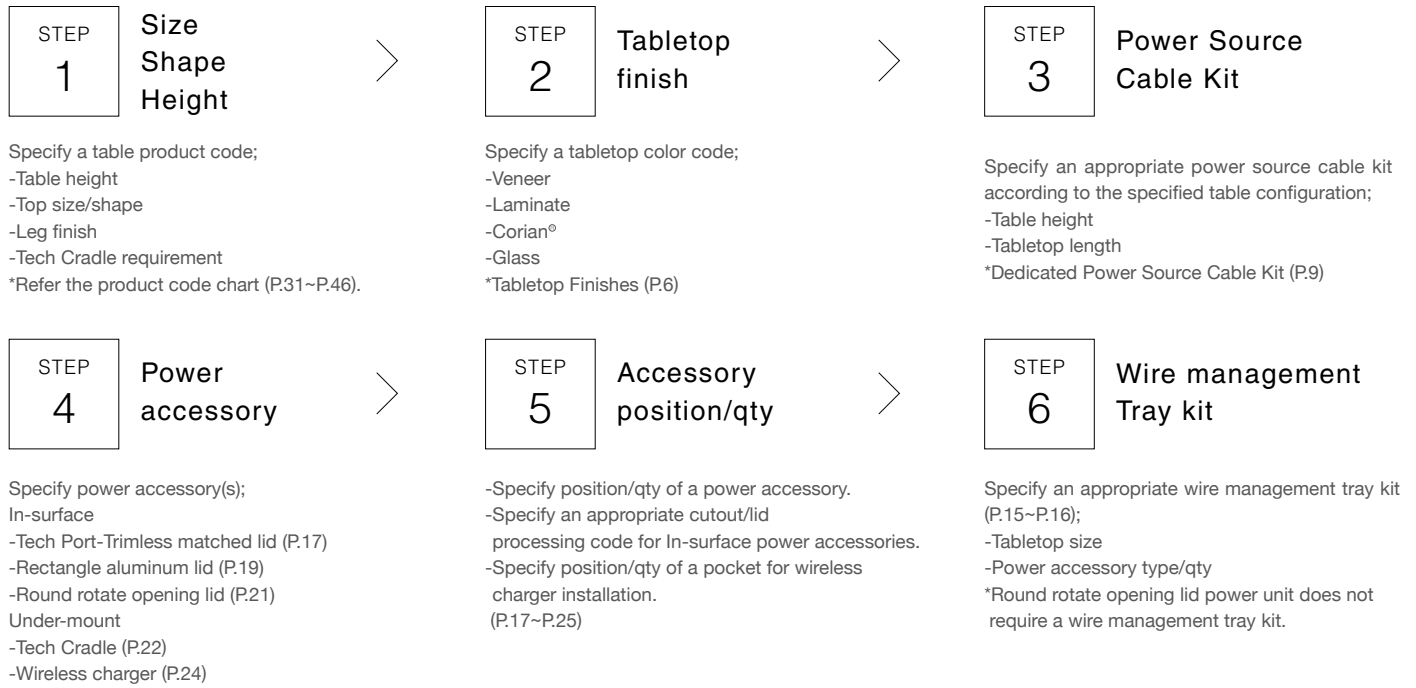
B Large profile leg (w/frame)



- All four legs have a wire entry opening on the bottom.
- One of four wiring covers on leg has a removable cap to allow a wire entry from side.
- Orientation of each leg is symmetric.

inches (mm)

Specifying process



Typical configurations

ROOM 1

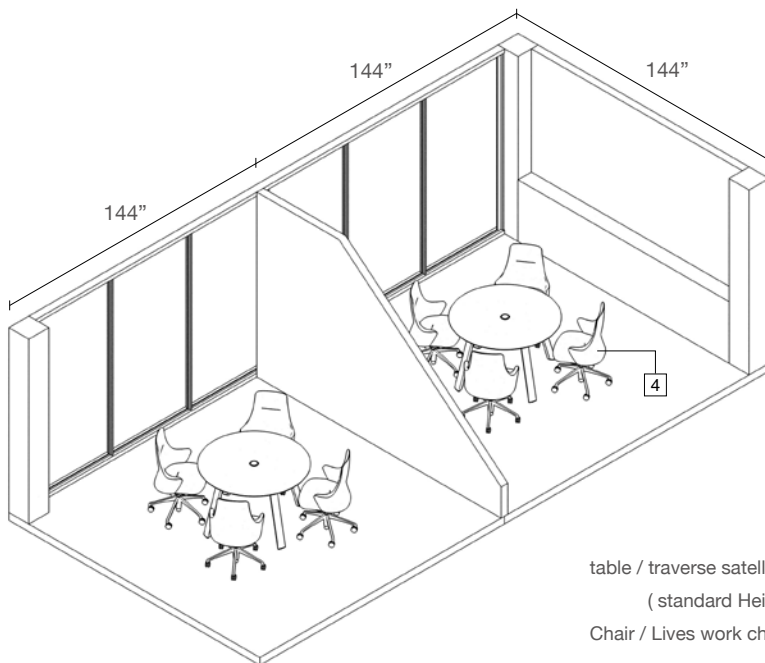
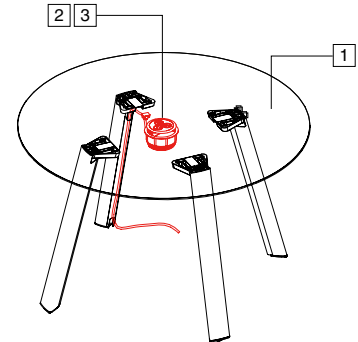


table / traverse satellite
 (standard Height : L48"xW48"xH29")
 Chair / Lives work chair (8 qty)



| | Description | Item code | Qty |
|-------|---|-------------|-----|
| Table | 1 Satellite conference table - Standard height, 48"dia x H29", Round shape, Knife edge, Veneer 1pc tabletop Veneer: Walnut(WE53), Aluminum leg Leg finish: Black (ZG29) | 4LCNDD-WE53 | 2 |
| | 2 Additional surface cutout for In-surface - Round rotate opening lid | 4LPC3A-Y647 | 2 |
| | 3 In-surface power unit - Round rotate opening lid, 2 Power + 1 Dual USB charger w/72" plug-in cord, Soft touch Black(Y985) | 4LPC1B-Y985 | 2 |
| Chair | 4 LW Chair - Swivel chair, Upholstered high back Twill Two-tone upholstery-FLB7 Exterior: Pale pink(FKZ7) Interior: Light gray(FKY3), Black body, Upholstered seat Twill-Light gray(FKY3), Black painted aluminum 5-star base, Hard casters | CDH5MR-FLB7 | 8 |

Typical configurations

ROOM 2

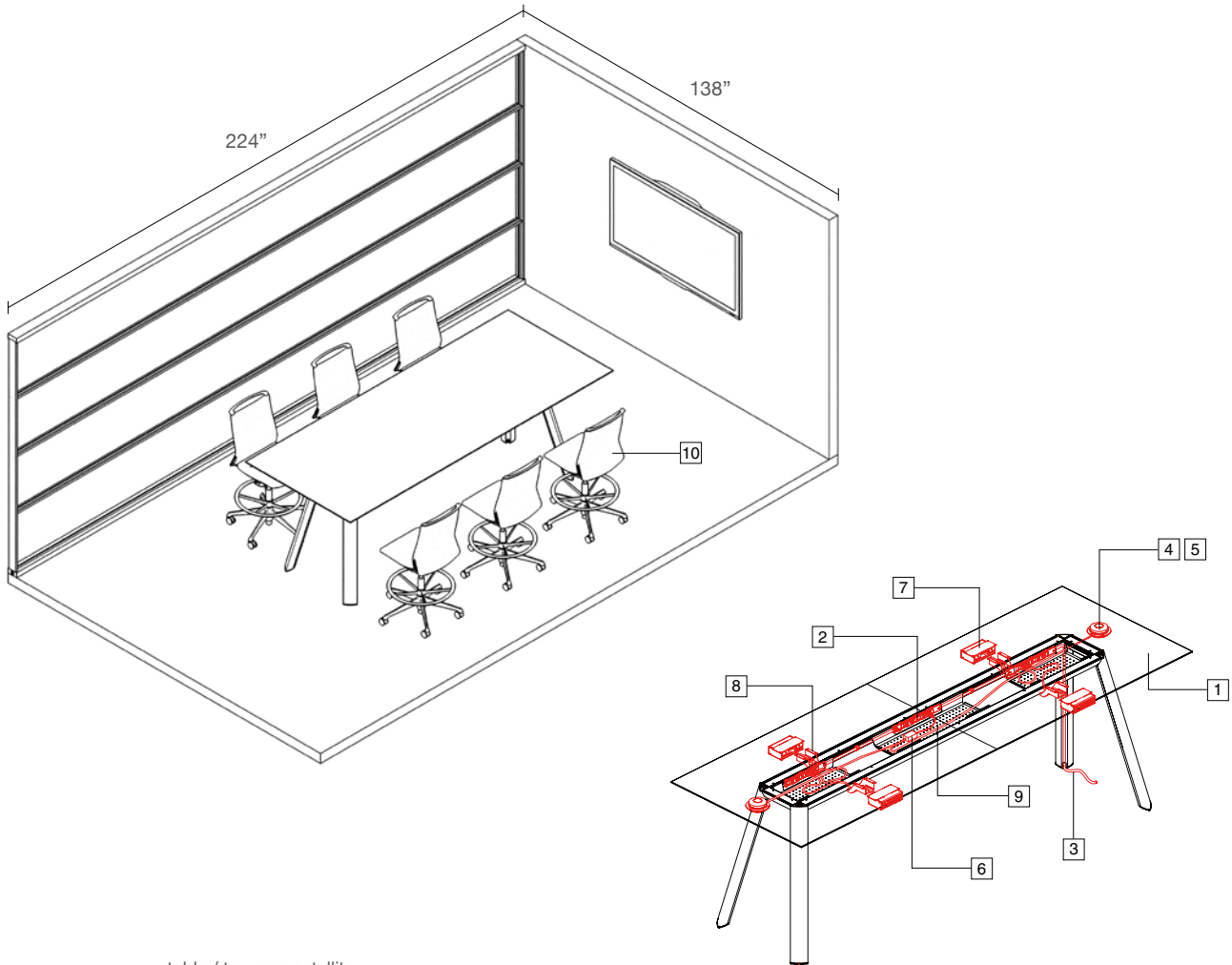


table / traverse satellite
 (standing Height : L120"xW48"xH42")
 Chair / Plimode high stool (6 qty)

| | Description | Item code | Qty |
|--------------|---|-------------|-----|
| Table | 1 Satellite conference table - Bar height, L120"x W48"x H42", Rectangle shape, Knife edge, Laminate 2pcs tabletop Laminate: Brite white-Standard matte finish(MDM1), w/Additional inserts for Tech Cradle installation, Aluminum leg Leg finish: Bright white (ZG26) | 4LUELD-MDM1 | 1 |
| | 2 Power source cable kit for L120" x H42" tables | 4LPF1J-Y647 | 1 |
| | 3 Optional 20 AMP plug-in power entry infeed for H42"tables | 4LPF2B-Y647 | 1 |
| | 4 Additional surface underside pocket for Wireless charger | 4LPE3A-Y647 | 2 |
| | 5 Under-mount power unit - Wireless charging device & Mounting plate | 4LPE1A-Y647 | 2 |
| | 6 Multi unit power supply (up to 4 units) for Wireless charger | 4LPE1C-Y647 | 1 |
| | 7 Under-mount power unit - Tech Cradle, Left: 1 Power + 1 Dual USB charger w/72" plug-in cord, Right: Blank plate | 4LPD1F-A03 | 4 |
| | 8 Dedicated wiring duct for large tables w/horizontal frame, Color: Skip silver (Z637) | 4LPD2A-Z637 | 4 |
| | 9 Wire management tray kit F - (2) Small (L21 5/8" x D10 3/4" + (1) Large (L32 7/8" x D10 3/4", Color: Skip silver (Z637) | 4LWA1F-Z637 | 1 |
| Chair | 10 Plimode - Swivel high stool, Plastic frame, Upholstered mid back Plain-Light gray (FSG3), White body, Armless, Upholstered seat Plain-Light gray (FSG3), Polished aluminum 5-star base with foot ring, Hard casters | CAH6HW-FSG3 | 6 |

Typical configurations

ROOM 3

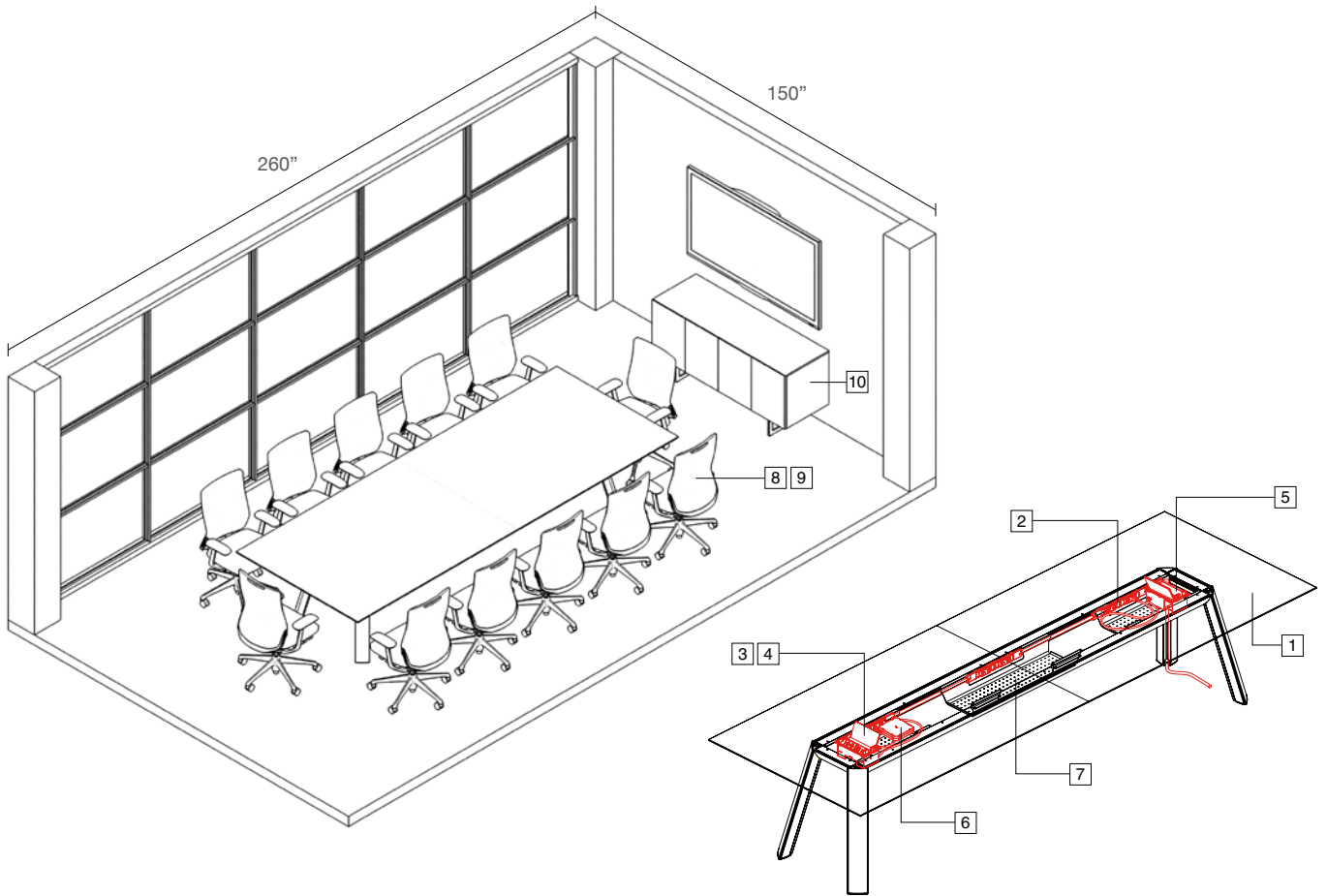
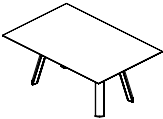


table / traverse satellite
 (standard Height : L144"xW54"xH29")
 Chair / Choral (12 qty)
 Credenza / Aluminum base (L60"xW20"xH29")

| | Description | Item code | Qty | |
|-----------------|-------------|---|-------------|----|
| Table | 1 | Satellite conference table - Standard height, L144"x W54"x H29", Rectangle shape, Knife edge, Veneer 2pcs tabletop Veneer: Oak (WE55), Aluminum leg Leg finish: Clear anodized (A03) | 4LSANE-WE55 | 1 |
| | 2 | Power source cable kit for L144" x H29" tables | 4LPF1G-Y647 | 1 |
| | 3 | Additional surface cutout & matched trimless lid for In-surface - Tech Port | 4LPA3A-WE55 | 2 |
| | 4 | In-surface power unit - Tech Port, 2 Power + 1 Dual USB charger + 1 Telecom Plate cutout w/72" plug-in cord | 4LPA1A-Y981 | 2 |
| | 5 | Telecom plate - 1 RJ11 + 1 RJ45 | 4LPA4B-Y647 | 1 |
| | 6 | HDMI Retractable cable mounting kit - 1 Telecom plate w/rubber bushing + 1 HDMI retractable cable + 1 Mounting bracket kit | 4LPA5A-Y647 | 1 |
| | 7 | Wire management tray kit G w/spacers - (2) Small (L21 5/8") x D16 1/4" + (1) Large (L32 7/8") x D16 1/4", Color: Skip silver (Z637) | 4LWB1G-Z637 | 1 |
| Chair | 8 | Choral, Swivel chair, Upholstered high back Leather Black without lumbar support, Black body, Polished aluminum frame, Armless, Upholstered seat Leather Black, Polished aluminum 5-star base, Hard casters | CQH7BR-P676 | 12 |
| | 9 | Choral, Fixed armrests, Black body, Polished aluminum frame | CQ524X-G721 | 12 |
| Credenza | 10 | Credenza, Standard height, L60"x W20"x H29", Polished aluminum base, Veneer case Veneer: Oak (WE55) | 4LHCAA-WE55 | 1 |

Laminate / Veneer top

| Rectangle | H | L | W | Leg Finish | Using Tech Cradle | Product Code |
|--|---------------------|---------------------|---------------------|------------------|-------------------|--------------|
|  <p>Standard height 29"</p> | 60" | 36" | Clear anodized(A03) | No | 4LSAFB-MDM□/W□□□ | |
| | | | Yes | 4LSBFB-MDM□/W□□□ | | |
| | | | Bright White(ZG26) | No | 4LSDFB-MDM□/W□□□ | |
| | | | Yes | 4LSEFB-MDM□/W□□□ | | |
| | | | Silver Gray(ZG27) | No | 4LSGFB-MDM□/W□□□ | |
| | | | Yes | 4LSHFB-MDM□/W□□□ | | |
| | | | Concrete Gray(ZG28) | No | 4LSKFB-MDM□/W□□□ | |
| | | | Yes | 4LSLFB-MDM□/W□□□ | | |
| | | | Black(ZG29) | No | 4LSNFB-MDM□/W□□□ | |
| | | | Yes | 4LSPFB-MDM□/W□□□ | | |
| | 60" | 42" | Clear anodized(A03) | No | 4LSAFC-MDM□/W□□□ | |
| | | | Yes | 4LSBFC-MDM□/W□□□ | | |
| | | | Bright White(ZG26) | No | 4LSDFC-MDM□/W□□□ | |
| | | | Yes | 4LSEFC-MDM□/W□□□ | | |
| | | | Silver Gray(ZG27) | No | 4LSGFC-MDM□/W□□□ | |
| | | | Yes | 4LSHFC-MDM□/W□□□ | | |
| | | | Concrete Gray(ZG28) | No | 4LSKFC-MDM□/W□□□ | |
| | | | Yes | 4LSLFC-MDM□/W□□□ | | |
| | | | Black(ZG29) | No | 4LSNFC-MDM□/W□□□ | |
| | | | Yes | 4LSPFC-MDM□/W□□□ | | |
| | 72" | 36" | Clear anodized(A03) | No | 4LSAGB-MDM□/W□□□ | |
| | | | Yes | 4LSBGB-MDM□/W□□□ | | |
| | | | Bright White(ZG26) | No | 4LSDGB-MDM□/W□□□ | |
| | | | Yes | 4LSEGB-MDM□/W□□□ | | |
| | | | Silver Gray(ZG27) | No | 4LSGGB-MDM□/W□□□ | |
| | | Yes | 4LSHGB-MDM□/W□□□ | | | |
| | | Concrete Gray(ZG28) | No | 4LSKGB-MDM□/W□□□ | | |
| | | Yes | 4LSLGB-MDM□/W□□□ | | | |
| | | Black(ZG29) | No | 4LSNGB-MDM□/W□□□ | | |
| | | Yes | 4LSPGB-MDM□/W□□□ | | | |
| | 42" | Clear anodized(A03) | No | 4LSAGC-MDM□/W□□□ | | |
| | | Yes | 4LSBGC-MDM□/W□□□ | | | |
| | | Bright White(ZG26) | No | 4LSDGC-MDM□/W□□□ | | |
| | | Yes | 4LSEGC-MDM□/W□□□ | | | |
| | | Silver Gray(ZG27) | No | 4LSGGC-MDM□/W□□□ | | |
| | Yes | 4LSHGC-MDM□/W□□□ | | | | |
| | Concrete Gray(ZG28) | No | 4LSKGC-MDM□/W□□□ | | | |
| | Yes | 4LSLGC-MDM□/W□□□ | | | | |
| | Black(ZG29) | No | 4LSNGC-MDM□/W□□□ | | | |
| | Yes | 4LSPGC-MDM□/W□□□ | | | | |
| | 84" | 42" | Clear anodized(A03) | No | 4LSAHC-MDM□/W□□□ | |
| | | | Yes | 4LSBHC-MDM□/W□□□ | | |
| | | | Bright White(ZG26) | No | 4LSDHC-MDM□/W□□□ | |
| | | | Yes | 4LSEHC-MDM□/W□□□ | | |
| | | | Silver Gray(ZG27) | No | 4LSGHC-MDM□/W□□□ | |
| Yes | | 4LSHHC-MDM□/W□□□ | | | | |
| Concrete Gray(ZG28) | | No | 4LSKHC-MDM□/W□□□ | | | |
| Yes | | 4LSLHC-MDM□/W□□□ | | | | |
| Black(ZG29) | | No | 4LSNHC-MDM□/W□□□ | | | |
| Yes | | 4LSPHC-MDM□/W□□□ | | | | |
| 48" | Clear anodized(A03) | No | 4LSAHD-MDM□/W□□□ | | | |
| | Yes | 4LSBHD-MDM□/W□□□ | | | | |
| | Bright White(ZG26) | No | 4LSDHD-MDM□/W□□□ | | | |
| | Yes | 4LSEHD-MDM□/W□□□ | | | | |
| | Silver Gray(ZG27) | No | 4LSGHD-MDM□/W□□□ | | | |
| Yes | 4LSHHD-MDM□/W□□□ | | | | | |
| Concrete Gray(ZG28) | No | 4LSKHD-MDM□/W□□□ | | | | |
| Yes | 4LSLHD-MDM□/W□□□ | | | | | |
| Black(ZG29) | No | 4LSNHD-MDM□/W□□□ | | | | |
| Yes | 4LSPHD-MDM□/W□□□ | | | | | |

<About product code>

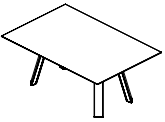
The product codes of Okamura items consist of numbers and letters, and in general 6-digit product code and 4-digit specification (color) code.

• Please refer to page 6.

4LSAFB-MDM1
 Product code (6 digits) Specification (color code)

Product Codes

Laminate / Veneer top

| Rectangle | | H | L | W | Leg Finish | Using Tech Cradle | Product Code |
|---|--------------------------------|---------------------|---------------------|---------------------|------------------|-------------------|--------------|
|  | <p>Standard height 29"</p> | 96" | 42" | Clear anodized(A03) | No | 4LSAJC-MDM□/W□□□ | |
| | | | | Yes | 4LSBJC-MDM□/W□□□ | | |
| | | | | Bright White(ZG26) | No | 4LSDJC-MDM□/W□□□ | |
| | | | | Yes | 4LSEJC-MDM□/W□□□ | | |
| | | | | Silver Gray(ZG27) | No | 4LSGJC-MDM□/W□□□ | |
| | | | Yes | 4LSHJC-MDM□/W□□□ | | | |
| | | | Concrete Gray(ZG28) | No | 4LSKJC-MDM□/W□□□ | | |
| | | | Yes | 4LSLJC-MDM□/W□□□ | | | |
| | | | Black(ZG29) | No | 4LSNJC-MDM□/W□□□ | | |
| | | | Yes | 4LSPJC-MDM□/W□□□ | | | |
| | | 48" | Clear anodized(A03) | No | 4LSAJD-MDM□/W□□□ | | |
| | | | Yes | 4LSBJD-MDM□/W□□□ | | | |
| | | | Bright White(ZG26) | No | 4LSDJD-MDM□/W□□□ | | |
| | | | Yes | 4LSEJD-MDM□/W□□□ | | | |
| | | | Silver Gray(ZG27) | No | 4LSGJD-MDM□/W□□□ | | |
| | | Yes | 4LSHJD-MDM□/W□□□ | | | | |
| | | Concrete Gray(ZG28) | No | 4LSKJD-MDM□/W□□□ | | | |
| | | Yes | 4LSLJD-MDM□/W□□□ | | | | |
| | | Black(ZG29) | No | 4LSNJD-MDM□/W□□□ | | | |
| | | Yes | 4LSPJD-MDM□/W□□□ | | | | |
| | | 108" | 42" | Clear anodized(A03) | No | 4LSAKC-MDM□/W□□□ | |
| | | | | Yes | 4LSBKC-MDM□/W□□□ | | |
| | | | | Bright White(ZG26) | No | 4LSDKC-MDM□/W□□□ | |
| | | | | Yes | 4LSEKC-MDM□/W□□□ | | |
| | | | | Silver Gray(ZG27) | No | 4LSGKC-MDM□/W□□□ | |
| | | | Yes | 4LSHKC-MDM□/W□□□ | | | |
| | | | Concrete Gray(ZG28) | No | 4LSKKC-MDM□/W□□□ | | |
| | | | Yes | 4LSLKC-MDM□/W□□□ | | | |
| | | | Black(ZG29) | No | 4LSNKC-MDM□/W□□□ | | |
| | | | Yes | 4LSPKC-MDM□/W□□□ | | | |
| 48" | Clear anodized(A03) | | No | 4LSAKD-MDM□/W□□□ | | | |
| | Yes | | 4LSBKD-MDM□/W□□□ | | | | |
| | Bright White(ZG26) | | No | 4LSDKD-MDM□/W□□□ | | | |
| | Yes | | 4LSEKD-MDM□/W□□□ | | | | |
| | Silver Gray(ZG27) | | No | 4LSGKD-MDM□/W□□□ | | | |
| Yes | 4LSHKD-MDM□/W□□□ | | | | | | |
| Concrete Gray(ZG28) | No | 4LSKKD-MDM□/W□□□ | | | | | |
| Yes | 4LSLKD-MDM□/W□□□ | | | | | | |
| Black(ZG29) | No | 4LSNKD-MDM□/W□□□ | | | | | |
| Yes | 4LSPKD-MDM□/W□□□ | | | | | | |
| 54" | Clear anodized(A03) | No | 4LSAKE-MDM□/W□□□ | | | | |
| | Yes | 4LSBKE-MDM□/W□□□ | | | | | |
| | Bright White(ZG26) | No | 4LSDKE-MDM□/W□□□ | | | | |
| | Yes | 4LSEKE-MDM□/W□□□ | | | | | |
| | Silver Gray(ZG27) | No | 4LSGKE-MDM□/W□□□ | | | | |
| Yes | 4LSHKE-MDM□/W□□□ | | | | | | |
| Concrete Gray(ZG28) | No | 4LSKKE-MDM□/W□□□ | | | | | |
| Yes | 4LSLKE-MDM□/W□□□ | | | | | | |
| Black(ZG29) | No | 4LSNKE-MDM□/W□□□ | | | | | |
| Yes | 4LSPKE-MDM□/W□□□ | | | | | | |
| 120" | 48" | Clear anodized(A03) | No | 4LSALD-MDM□/W□□□ | | | |
| | | Yes | 4LSBLD-MDM□/W□□□ | | | | |
| | | Bright White(ZG26) | No | 4LSDLD-MDM□/W□□□ | | | |
| | | Yes | 4LSELD-MDM□/W□□□ | | | | |
| | | Silver Gray(ZG27) | No | 4LSGLD-MDM□/W□□□ | | | |
| | Yes | 4LSHLD-MDM□/W□□□ | | | | | |
| | Concrete Gray(ZG28) | No | 4LSKLD-MDM□/W□□□ | | | | |
| | Yes | 4LSLLD-MDM□/W□□□ | | | | | |
| | Black(ZG29) | No | 4LSNLD-MDM□/W□□□ | | | | |
| | Yes | 4LSPLD-MDM□/W□□□ | | | | | |

<About product code>

The product codes of Okamura items consist of numbers and letters, and in general 6-digit product code and 4-digit specification (color) code.

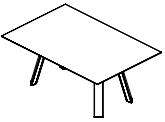
• Please refer to page 6.

4LSAFB-MDM1

Product code (6 digits) Specification (color code)

Product Codes

Laminate / Veneer top

| Rectangle | | H | L | W | Leg Finish | Using Tech Cradle | Product Code |
|---|------------------------|---------------------|---------------------|---------------------|------------------|-------------------|--------------|
|  | Standard height 29" | 120" | 54" | Clear anodized(A03) | No | 4LSALE-MDM□/W□□□ | |
| | | | | Yes | 4LSBLE-MDM□/W□□□ | | |
| | | | | Bright White(ZG26) | No | 4LSDLE-MDM□/W□□□ | |
| | | | | Yes | 4LSELE-MDM□/W□□□ | | |
| | | | | Silver Gray(ZG27) | No | 4LSGLE-MDM□/W□□□ | |
| | | | Yes | 4LSHLE-MDM□/W□□□ | | | |
| | | | Concrete Gray(ZG28) | No | 4LSKLE-MDM□/W□□□ | | |
| | | | Yes | 4LSLLE-MDM□/W□□□ | | | |
| | | | Black(ZG29) | No | 4LSNLE-MDM□/W□□□ | | |
| | | | Yes | 4LSPLE-MDM□/W□□□ | | | |
| | | 60" | Clear anodized(A03) | No | 4LSALF-MDM□/W□□□ | | |
| | | | Yes | 4LSBLF-MDM□/W□□□ | | | |
| | | | Bright White(ZG26) | No | 4LSDLF-MDM□/W□□□ | | |
| | | | Yes | 4LSELF-MDM□/W□□□ | | | |
| | | | Silver Gray(ZG27) | No | 4LSGLF-MDM□/W□□□ | | |
| | | Yes | 4LSHLF-MDM□/W□□□ | | | | |
| | | Concrete Gray(ZG28) | No | 4LSKLF-MDM□/W□□□ | | | |
| | | Yes | 4LSLLF-MDM□/W□□□ | | | | |
| | | Black(ZG29) | No | 4LSNLF-MDM□/W□□□ | | | |
| | | Yes | 4LSPLF-MDM□/W□□□ | | | | |
| | | 132" | 48" | Clear anodized(A03) | No | 4LSAMD-MDM□/W□□□ | |
| | | | | Yes | 4LSBMD-MDM□/W□□□ | | |
| | | | | Bright White(ZG26) | No | 4LSDMD-MDM□/W□□□ | |
| | | | | Yes | 4LSEMD-MDM□/W□□□ | | |
| | | | | Silver Gray(ZG27) | No | 4LSGMD-MDM□/W□□□ | |
| | | | Yes | 4LSHMD-MDM□/W□□□ | | | |
| | | | Concrete Gray(ZG28) | No | 4LSKMD-MDM□/W□□□ | | |
| | | | Yes | 4LSLMD-MDM□/W□□□ | | | |
| | | | Black(ZG29) | No | 4LSNMD-MDM□/W□□□ | | |
| | | | Yes | 4LSPMD-MDM□/W□□□ | | | |
| | | 54" | Clear anodized(A03) | No | 4LSAME-MDM□/W□□□ | | |
| | | | Yes | 4LSBME-MDM□/W□□□ | | | |
| | | | Bright White(ZG26) | No | 4LSDME-MDM□/W□□□ | | |
| | | | Yes | 4LSEME-MDM□/W□□□ | | | |
| | | | Silver Gray(ZG27) | No | 4LSGME-MDM□/W□□□ | | |
| | | Yes | 4LSHME-MDM□/W□□□ | | | | |
| | | Concrete Gray(ZG28) | No | 4LSKME-MDM□/W□□□ | | | |
| | | Yes | 4LSLME-MDM□/W□□□ | | | | |
| | | Black(ZG29) | No | 4LSNME-MDM□/W□□□ | | | |
| | | Yes | 4LSPME-MDM□/W□□□ | | | | |
| 60" | Clear anodized(A03) | No | 4LSAMF-MDM□/W□□□ | | | | |
| | Yes | 4LSBMF-MDM□/W□□□ | | | | | |
| | Bright White(ZG26) | No | 4LSDMF-MDM□/W□□□ | | | | |
| | Yes | 4LSEMF-MDM□/W□□□ | | | | | |
| | Silver Gray(ZG27) | No | 4LSGMF-MDM□/W□□□ | | | | |
| Yes | 4LSHMF-MDM□/W□□□ | | | | | | |
| Concrete Gray(ZG28) | No | 4LSKMF-MDM□/W□□□ | | | | | |
| Yes | 4LSLMF-MDM□/W□□□ | | | | | | |
| Black(ZG29) | No | 4LSNMF-MDM□/W□□□ | | | | | |
| Yes | 4LSPMF-MDM□/W□□□ | | | | | | |
| 144" | 48" | Clear anodized(A03) | No | 4LSAND-MDM□/W□□□ | | | |
| | | Yes | 4LSBND-MDM□/W□□□ | | | | |
| | | Bright White(ZG26) | No | 4LSDND-MDM□/W□□□ | | | |
| | | Yes | 4LSEND-MDM□/W□□□ | | | | |
| | | Silver Gray(ZG27) | No | 4LSGND-MDM□/W□□□ | | | |
| Yes | 4LSHND-MDM□/W□□□ | | | | | | |
| Concrete Gray(ZG28) | No | 4LSKND-MDM□/W□□□ | | | | | |
| Yes | 4LSLND-MDM□/W□□□ | | | | | | |
| Black(ZG29) | No | 4LSNND-MDM□/W□□□ | | | | | |
| Yes | 4LSPND-MDM□/W□□□ | | | | | | |

<About product code>

The product codes of Okamura items consist of numbers and letters, and in general 6-digit product code and 4-digit specification (color) code.

• Please refer to page 6.

4LSAFB-MDM1

Product code (6 digits) Specification (color code)

Product Codes

Laminate / Veneer top

| Rectangle | | H | L | W | Leg Finish | Using Tech Cradle | Product Code |
|-----------|------------------------|---------------------|---------------------|---------------------|------------------|-------------------|--------------|
| | Standard height 29" | 144" | 54" | Clear anodized(A03) | No | 4LSANE-MDM□/W□□□ | |
| | | | | | Yes | 4LSBNE-MDM□/W□□□ | |
| | | | | Bright White(ZG26) | No | 4LSDNE-MDM□/W□□□ | |
| | | | | | Yes | 4LSENE-MDM□/W□□□ | |
| | | | | Silver Gray(ZG27) | No | 4LSGNE-MDM□/W□□□ | |
| | | | | Yes | 4LSHNE-MDM□/W□□□ | | |
| | | | Concrete Gray(ZG28) | No | 4LSKNE-MDM□/W□□□ | | |
| | | | | Yes | 4LSLNE-MDM□/W□□□ | | |
| | | | Black(ZG29) | No | 4LSNNE-MDM□/W□□□ | | |
| | | | | Yes | 4LSPNE-MDM□/W□□□ | | |
| | | 60" | Clear anodized(A03) | No | 4LSANF-MDM□/W□□□ | | |
| | | | | Yes | 4LSBNF-MDM□/W□□□ | | |
| | | | Bright White(ZG26) | No | 4LSDNF-MDM□/W□□□ | | |
| | | | | Yes | 4LSENF-MDM□/W□□□ | | |
| | | | Silver Gray(ZG27) | No | 4LSGNF-MDM□/W□□□ | | |
| | | | | Yes | 4LSHNF-MDM□/W□□□ | | |
| | | | Concrete Gray(ZG28) | No | 4LSKNF-MDM□/W□□□ | | |
| | | | | Yes | 4LSLNF-MDM□/W□□□ | | |
| | | | Black(ZG29) | No | 4LSNNF-MDM□/W□□□ | | |
| | | | | Yes | 4LSPNF-MDM□/W□□□ | | |
| | Low height 20" | 60" | 30" | Clear anodized(A03) | No | 4LTAFB-MDM□/W□□□ | |
| | | | | Bright White(ZG26) | | 4LTDFA-MDM□/W□□□ | |
| | | | | Silver Gray(ZG27) | | 4LTGFA-MDM□/W□□□ | |
| | | | | Concrete Gray(ZG28) | | 4LTKFA-MDM□/W□□□ | |
| | | | | Black(ZG29) | | 4LTNFA-MDM□/W□□□ | |
| | | 72" | 36" | Clear anodized(A03) | No | 4LTAGB-MDM□/W□□□ | |
| | | | | Bright White(ZG26) | | 4LTDGB-MDM□/W□□□ | |
| | | | | Silver Gray(ZG27) | | 4LTGGB-MDM□/W□□□ | |
| | | | | Concrete Gray(ZG28) | | 4LTKGB-MDM□/W□□□ | |
| | | | | Black(ZG29) | | 4LTNGB-MDM□/W□□□ | |
| | Bar height 42" | 96" | 42" | Clear anodized(A03) | No | 4LUAJC-MDM□/W□□□ | |
| | | | | | Yes | 4LUBJC-MDM□/W□□□ | |
| | | | | Bright White(ZG26) | No | 4LUDJC-MDM□/W□□□ | |
| | | | | | Yes | 4LUEJC-MDM□/W□□□ | |
| | | | | Silver Gray(ZG27) | No | 4LUGJC-MDM□/W□□□ | |
| | | | | Yes | 4LUHJC-MDM□/W□□□ | | |
| | | | Concrete Gray(ZG28) | No | 4LUKJC-MDM□/W□□□ | | |
| | | | | Yes | 4LULJC-MDM□/W□□□ | | |
| | | | Black(ZG29) | No | 4LUNJC-MDM□/W□□□ | | |
| | | | | Yes | 4LUPJC-MDM□/W□□□ | | |
| | | 120" | 48" | Clear anodized(A03) | No | 4LUALD-MDM□/W□□□ | |
| | | | | | Yes | 4LUBLD-MDM□/W□□□ | |
| | | | | Bright White(ZG26) | No | 4LUDLD-MDM□/W□□□ | |
| | | | | | Yes | 4LUELd-MDM□/W□□□ | |
| | | | | Silver Gray(ZG27) | No | 4LUGLD-MDM□/W□□□ | |
| | | | | Yes | 4LUHLD-MDM□/W□□□ | | |
| | | | Concrete Gray(ZG28) | No | 4LUKLD-MDM□/W□□□ | | |
| | | | | Yes | 4LULLD-MDM□/W□□□ | | |
| | | | Black(ZG29) | No | 4LUNLD-MDM□/W□□□ | | |
| | | | | Yes | 4LUPLD-MDM□/W□□□ | | |
| 144" | 54" | Clear anodized(A03) | No | 4LUANE-MDM□/W□□□ | | | |
| | | | Yes | 4LUBNE-MDM□/W□□□ | | | |
| | | Bright White(ZG26) | No | 4LUDNE-MDM□/W□□□ | | | |
| | | | Yes | 4LUENE-MDM□/W□□□ | | | |
| | | Silver Gray(ZG27) | No | 4LUGNE-MDM□/W□□□ | | | |
| | | Yes | 4LUHNE-MDM□/W□□□ | | | | |
| | Concrete Gray(ZG28) | No | 4LUKNE-MDM□/W□□□ | | | | |
| | | Yes | 4LULNE-MDM□/W□□□ | | | | |
| | Black(ZG29) | No | 4LUNNE-MDM□/W□□□ | | | | |
| | | Yes | 4LUPNE-MDM□/W□□□ | | | | |

<About product code>

The product codes of Okamura items consist of numbers and letters, and in general 6-digit product code and 4-digit specification (color) code.

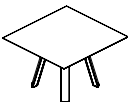
• Please refer to page 6.

4LSAFB-MDM1

Product code (6 digits) Specification (color code)

Product Codes

Laminate / Veneer top

| Square | H | L | W | Leg Finish | Using Tech Cradle | Product Code |
|--|------------------------|---------------------|-----|---------------------|-------------------|------------------|
|  | Standard height 29" | 36" | 36" | Clear anodized(A03) | No | 4LAABB-MDM□/W□□□ |
| | | | | | Yes | 4LABBB-MDM□/W□□□ |
| | | | | Bright White(ZG26) | No | 4LADBB-MDM□/W□□□ |
| | | | | | Yes | 4LAEBB-MDM□/W□□□ |
| | | | | Silver Gray(ZG27) | No | 4LAGBB-MDM□/W□□□ |
| | | | | | Yes | 4LAHBB-MDM□/W□□□ |
| | | | | Concrete Gray(ZG28) | No | 4LAKBB-MDM□/W□□□ |
| | | | | | Yes | 4LALBB-MDM□/W□□□ |
| | | | | Black(ZG29) | No | 4LANBB-MDM□/W□□□ |
| | | | | | Yes | 4LAPBB-MDM□/W□□□ |
| | | 42" | 42" | Clear anodized(A03) | No | 4LAACC-MDM□/W□□□ |
| | | | | | Yes | 4LABCC-MDM□/W□□□ |
| | | | | Bright White(ZG26) | No | 4LADCC-MDM□/W□□□ |
| | | | | | Yes | 4LAECC-MDM□/W□□□ |
| | | | | Silver Gray(ZG27) | No | 4LAGCC-MDM□/W□□□ |
| | | | | | Yes | 4LAHCC-MDM□/W□□□ |
| | | | | Concrete Gray(ZG28) | No | 4LAKCC-MDM□/W□□□ |
| | | | | | Yes | 4LALCC-MDM□/W□□□ |
| | | | | Black(ZG29) | No | 4LANCC-MDM□/W□□□ |
| | | | | | Yes | 4LAPCC-MDM□/W□□□ |
| | | 48" | 48" | Clear anodized(A03) | No | 4LAADD-MDM□/W□□□ |
| | | | | | Yes | 4LABDD-MDM□/W□□□ |
| | | | | Bright White(ZG26) | No | 4LADDD-MDM□/W□□□ |
| | | | | | Yes | 4LAEDD-MDM□/W□□□ |
| | | | | Silver Gray(ZG27) | No | 4LAGDD-MDM□/W□□□ |
| | | | | | Yes | 4LAHDD-MDM□/W□□□ |
| | | | | Concrete Gray(ZG28) | No | 4LAKDD-MDM□/W□□□ |
| | | | | | Yes | 4LALDD-MDM□/W□□□ |
| | | | | Black(ZG29) | No | 4LANDD-MDM□/W□□□ |
| | | | | | Yes | 4LAPDD-MDM□/W□□□ |
| 54" | 54" | Clear anodized(A03) | No | 4LAEEE-MDM□/W□□□ | | |
| | | | Yes | 4LABEE-MDM□/W□□□ | | |
| | | Bright White(ZG26) | No | 4LADEE-MDM□/W□□□ | | |
| | | | Yes | 4LAEEE-MDM□/W□□□ | | |
| | | Silver Gray(ZG27) | No | 4LAGEE-MDM□/W□□□ | | |
| | | | Yes | 4LAHEE-MDM□/W□□□ | | |
| | | Concrete Gray(ZG28) | No | 4LAKEE-MDM□/W□□□ | | |
| | | | Yes | 4LAL EE-MDM□/W□□□ | | |
| | | Black(ZG29) | No | 4LANEE-MDM□/W□□□ | | |
| | | | Yes | 4LAP EE-MDM□/W□□□ | | |
| 60" | 60" | Clear anodized(A03) | No | 4LAFFF-MDM□/W□□□ | | |
| | | | Yes | 4LABFF-MDM□/W□□□ | | |
| | | Bright White(ZG26) | No | 4LADFF-MDM□/W□□□ | | |
| | | | Yes | 4LAEFF-MDM□/W□□□ | | |
| | | Silver Gray(ZG27) | No | 4LAGFF-MDM□/W□□□ | | |
| | | | Yes | 4LAHFF-MDM□/W□□□ | | |
| | | Concrete Gray(ZG28) | No | 4LAKFF-MDM□/W□□□ | | |
| | | | Yes | 4LALFF-MDM□/W□□□ | | |
| | | Black(ZG29) | No | 4LANFF-MDM□/W□□□ | | |
| | | | Yes | 4LAPFF-MDM□/W□□□ | | |

<About product code>

The product codes of Okamura items consist of numbers and letters, and in general 6-digit product code and 4-digit specification (color) code.

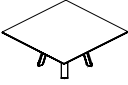
- Please refer to page 6.

4LSAFB-MDM1

Product code (6 digits) Specification (color code)

Product Codes

Laminate / Veneer top

| Square | H | L | W | Leg Finish | Using Tech Cradle | Product Code |
|---|---------------------------|-----|-----|---------------------|-------------------|------------------|
|  | Low height 20" | 36" | 36" | Clear anodized(A03) | No | 4LBABB-MDM□/W□□□ |
| | | | | Bright White(ZG26) | | 4LBDBB-MDM□/W□□□ |
| | | | | Silver Gray(ZG27) | | 4LBGBB-MDM□/W□□□ |
| | | | | Concrete Gray(ZG28) | | 4LBKBB-MDM□/W□□□ |
| | | | | Black(ZG29) | | 4LBNBB-MDM□/W□□□ |
| | | 42 | 42" | Clear anodized(A03) | No | 4LBACC-MDM□/W□□□ |
| | | | | Bright White(ZG26) | | 4LBDCC-MDM□/W□□□ |
| | | | | Silver Gray(ZG27) | | 4LBGCC-MDM□/W□□□ |
| | | | | Concrete Gray(ZG28) | | 4LBKCC-MDM□/W□□□ |
| | | | | Black(ZG29) | | 4LBNCC-MDM□/W□□□ |
| | | 48" | 48" | Clear anodized(A03) | No | 4LBADD-MDM□/W□□□ |
| | | | | Bright White(ZG26) | | 4LBDDD-MDM□/W□□□ |
| | | | | Silver Gray(ZG27) | | 4LBGDD-MDM□/W□□□ |
| | | | | Concrete Gray(ZG28) | | 4LBKDD-MDM□/W□□□ |
| | | | | Black(ZG29) | | 4LBNDD-MDM□/W□□□ |

<About product code>

The product codes of Okamura items consist of numbers and letters, and in general 6-digit product code and 4-digit specification (color) code.


- Please refer to page 6.

4LSAFB-MDM1

Product code (6 digits) Specification (color code)

Product Codes

Laminate / Veneer top

| Round | H | L | W | Leg Finish | Using Tech Cradle | Product Code |
|--|--------------------------------|---------------------|-----|---------------------|-------------------|------------------|
|  | Standard height 29" | 36" | 36" | Clear anodized(A03) | No | 4LCABB-MDM□/W□□□ |
| | | | | | Yes | 4LCBBB-MDM□/W□□□ |
| | | | | Bright White(ZG26) | No | 4LCDBB-MDM□/W□□□ |
| | | | | | Yes | 4LCEBB-MDM□/W□□□ |
| | | | | Silver Gray(ZG27) | No | 4LCGBB-MDM□/W□□□ |
| | | | | | Yes | 4LCHBB-MDM□/W□□□ |
| | | | | Concrete Gray(ZG28) | No | 4LCKBB-MDM□/W□□□ |
| | | | | | Yes | 4LCLBB-MDM□/W□□□ |
| | | | | Black(ZG29) | No | 4LCNBB-MDM□/W□□□ |
| | | | | | Yes | 4LCPBB-MDM□/W□□□ |
| | | 42" | 42" | Clear anodized(A03) | No | 4LCACC-MDM□/W□□□ |
| | | | | | Yes | 4LCBCC-MDM□/W□□□ |
| | | | | Bright White(ZG26) | No | 4LCDCC-MDM□/W□□□ |
| | | | | | Yes | 4LCECC-MDM□/W□□□ |
| | | | | Silver Gray(ZG27) | No | 4LCGCC-MDM□/W□□□ |
| | | | | | Yes | 4LCHCC-MDM□/W□□□ |
| | | | | Concrete Gray(ZG28) | No | 4LCKCC-MDM□/W□□□ |
| | | | | | Yes | 4LCLCC-MDM□/W□□□ |
| | | | | Black(ZG29) | No | 4LCNCC-MDM□/W□□□ |
| | | | | | Yes | 4LCPCC-MDM□/W□□□ |
| | | 48" | 48" | Clear anodized(A03) | No | 4LCADD-MDM□/W□□□ |
| | | | | | Yes | 4LCBDD-MDM□/W□□□ |
| | | | | Bright White(ZG26) | No | 4LCDDD-MDM□/W□□□ |
| | | | | | Yes | 4LCEDD-MDM□/W□□□ |
| | | | | Silver Gray(ZG27) | No | 4LCGDD-MDM□/W□□□ |
| | | | | | Yes | 4LCHDD-MDM□/W□□□ |
| | | | | Concrete Gray(ZG28) | No | 4LCKDD-MDM□/W□□□ |
| | | | | | Yes | 4LCLDD-MDM□/W□□□ |
| | | | | Black(ZG29) | No | 4LCNDD-MDM□/W□□□ |
| | | | | | Yes | 4LCPDD-MDM□/W□□□ |
| 54" | 54" | Clear anodized(A03) | No | 4LCAEE-MDM□/W□□□ | | |
| | | | Yes | 4LCBEE-MDM□/W□□□ | | |
| | | Bright White(ZG26) | No | 4LCDEE-MDM□/W□□□ | | |
| | | | Yes | 4LCEEE-MDM□/W□□□ | | |
| | | Silver Gray(ZG27) | No | 4LCGEE-MDM□/W□□□ | | |
| | | | Yes | 4LCHEE-MDM□/W□□□ | | |
| | | Concrete Gray(ZG28) | No | 4LCKEE-MDM□/W□□□ | | |
| | | | Yes | 4LCL EE-MDM□/W□□□ | | |
| | | Black(ZG29) | No | 4LCNEE-MDM□/W□□□ | | |
| | | | Yes | 4LCP EE-MDM□/W□□□ | | |
| 60" | 60" | Clear anodized(A03) | No | 4LCAFF-MDM□/W□□□ | | |
| | | | Yes | 4LCBFF-MDM□/W□□□ | | |
| | | Bright White(ZG26) | No | 4LCDFF-MDM□/W□□□ | | |
| | | | Yes | 4LCEFF-MDM□/W□□□ | | |
| | | Silver Gray(ZG27) | No | 4LCGFF-MDM□/W□□□ | | |
| | | | Yes | 4LCHFF-MDM□/W□□□ | | |
| | | Concrete Gray(ZG28) | No | 4LCKFF-MDM□/W□□□ | | |
| | | | Yes | 4LCLFF-MDM□/W□□□ | | |
| | | Black(ZG29) | No | 4LCNFF-MDM□/W□□□ | | |
| | | | Yes | 4LCPFF-MDM□/W□□□ | | |

<About product code>

The product codes of Okamura items consist of numbers and letters, and in general 6-digit product code and 4-digit specification (color) code.

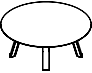
- Please refer to page 6.

4LSAFB-MDM1

Product code (6 digits) Specification (color code)

Product Codes

Laminate / Veneer top

| Round | H | L | W | Leg Finish | Using Tech Cradle | Product Code | | |
|---|---------------------------|-----|-----|---------------------|-------------------|------------------|------------------|------------------|
|  | Low height 20" | 36" | 36" | Clear anodized(A03) | No | 4LDABB-MDM□/W□□□ | | |
| | | | | Bright White(ZG26) | | 4LDDBB-MDM□/W□□□ | | |
| | | | | Silver Gray(ZG27) | | 4LDGBB-MDM□/W□□□ | | |
| | | | | Concrete Gray(ZG28) | | 4LDKBB-MDM□/W□□□ | | |
| | | | | | | Black(ZG29) | | 4LDNBB-MDM□/W□□□ |
| | | 42 | 42" | Clear anodized(A03) | No | 4LDACC-MDM□/W□□□ | | |
| | | | | Bright White(ZG26) | | 4LDDCC-MDM□/W□□□ | | |
| | | | | Silver Gray(ZG27) | | 4LDGCC-MDM□/W□□□ | | |
| | | | | Concrete Gray(ZG28) | | 4LDKCC-MDM□/W□□□ | | |
| | | | | | | Black(ZG29) | | 4LDNCC-MDM□/W□□□ |
| | | 48" | 48" | Clear anodized(A03) | No | 4LDADD-MDM□/W□□□ | | |
| | | | | Bright White(ZG26) | | 4LDDDD-MDM□/W□□□ | | |
| | Silver Gray(ZG27) | | | 4LDGDD-MDM□/W□□□ | | | | |
| | Concrete Gray(ZG28) | | | 4LDKDD-MDM□/W□□□ | | | | |
| | | | | | Black(ZG29) | | 4LDNDD-MDM□/W□□□ | |

<About product code>

The product codes of Okamura items consist of numbers and letters, and in general 6-digit product code and 4-digit specification (color) code.

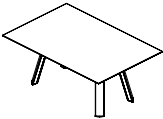
- Please refer to page 6.

4LSAFB-MDM1

Product code (6 digits) Specification (color code)

Product Codes

Corian®/ Glass top

| Rectangle | | H | L | W | Leg Finish | Using Tech Cradle | Product Code |
|---|--------------------------------|---------------------|---------------------|---------------------|--------------------|--------------------|--------------|
|  | Standard height 29" | 60" | 36" | Clear anodized(A03) | No | 4LSAFB-GC3□ / H28□ | |
| | | | | | Yes | 4LSBFB-GC3□ / H28□ | |
| | | | | Bright White(ZG26) | No | 4LSDFB-GC3□ / H28□ | |
| | | | | | Yes | 4LSEFB-GC3□ / H28□ | |
| | | | | Silver Gray(ZG27) | No | 4LSGFB-GC3□ / H28□ | |
| | | | | Yes | 4LSHFB-GC3□ / H28□ | | |
| | | | Concrete Gray(ZG28) | No | 4LSKFB-GC3□ / H28□ | | |
| | | | | Yes | 4LSLFB-GC3□ / H28□ | | |
| | | | Black(ZG29) | No | 4LSNFB-GC3□ / H28□ | | |
| | | | | Yes | 4LSPFB-GC3□ / H28□ | | |
| | | 42" | Clear anodized(A03) | No | 4LSAFC-GC3□ / H28□ | | |
| | | | | Yes | 4LSBFC-GC3□ / H28□ | | |
| | | | Bright White(ZG26) | No | 4LSDFC-GC3□ / H28□ | | |
| | | | | Yes | 4LSEFC-GC3□ / H28□ | | |
| | | | Silver Gray(ZG27) | No | 4LSGFC-GC3□ / H28□ | | |
| | | | | Yes | 4LSHFC-GC3□ / H28□ | | |
| | | | Concrete Gray(ZG28) | No | 4LSKFC-GC3□ / H28□ | | |
| | | | | Yes | 4LSLFC-GC3□ / H28□ | | |
| | | | Black(ZG29) | No | 4LSNFC-GC3□ / H28□ | | |
| | | | | Yes | 4LSPFC-GC3□ / H28□ | | |
| | | 72" | 36" | Clear anodized(A03) | No | 4LSAGB-GC3□ / H28□ | |
| | | | | | Yes | 4LSBGB-GC3□ / H28□ | |
| | | | | Bright White(ZG26) | No | 4LSDGB-GC3□ / H28□ | |
| | | | | | Yes | 4LSEGB-GC3□ / H28□ | |
| | | | | Silver Gray(ZG27) | No | 4LSGGB-GC3□ / H28□ | |
| | | | | Yes | 4LSHGB-GC3□ / H28□ | | |
| | | | Concrete Gray(ZG28) | No | 4LSKGB-GC3□ / H28□ | | |
| | | | | Yes | 4LSLGB-GC3□ / H28□ | | |
| | | | Black(ZG29) | No | 4LSNGB-GC3□ / H28□ | | |
| | | | | Yes | 4LSPGB-GC3□ / H28□ | | |
| | | 42" | Clear anodized(A03) | No | 4LSAGC-GC3□ / H28□ | | |
| | | | | Yes | 4LSBGC-GC3□ / H28□ | | |
| | | | Bright White(ZG26) | No | 4LSDGC-GC3□ / H28□ | | |
| | | | | Yes | 4LSEGC-GC3□ / H28□ | | |
| | | | Silver Gray(ZG27) | No | 4LSGGC-GC3□ / H28□ | | |
| | | | | Yes | 4LSHGC-GC3□ / H28□ | | |
| | | | Concrete Gray(ZG28) | No | 4LSKGC-GC3□ / H28□ | | |
| | | | | Yes | 4LSLGC-GC3□ / H28□ | | |
| | | | Black(ZG29) | No | 4LSNGC-GC3□ / H28□ | | |
| | | | | Yes | 4LSPGC-GC3□ / H28□ | | |
| 84" | 42" | Clear anodized(A03) | No | 4LSAHC-GC3□ / H28□ | | | |
| | | | Yes | 4LSBHC-GC3□ / H28□ | | | |
| | | Bright White(ZG26) | No | 4LSDHC-GC3□ / H28□ | | | |
| | | | Yes | 4LSEHC-GC3□ / H28□ | | | |
| | | Silver Gray(ZG27) | No | 4LSGHC-GC3□ / H28□ | | | |
| | | Yes | 4LSHHC-GC3□ / H28□ | | | | |
| | Concrete Gray(ZG28) | No | 4LSKHC-GC3□ / H28□ | | | | |
| | | Yes | 4LSLHC-GC3□ / H28□ | | | | |
| | Black(ZG29) | No | 4LSNHC-GC3□ / H28□ | | | | |
| | | Yes | 4LSPHC-GC3□ / H28□ | | | | |
| 48" | Clear anodized(A03) | No | 4LSAHD-GC3□ / H28□ | | | | |
| | | Yes | 4LSBHD-GC3□ / H28□ | | | | |
| | Bright White(ZG26) | No | 4LSDHD-GC3□ / H28□ | | | | |
| | | Yes | 4LSEHD-GC3□ / H28□ | | | | |
| | Silver Gray(ZG27) | No | 4LSGHD-GC3□ / H28□ | | | | |
| | Yes | 4LSHHD-GC3□ / H28□ | | | | | |
| Concrete Gray(ZG28) | No | 4LSKHD-GC3□ / H28□ | | | | | |
| | Yes | 4LSLHD-GC3□ / H28□ | | | | | |
| Black(ZG29) | No | 4LSNHD-GC3□ / H28□ | | | | | |
| | Yes | 4LSPHD-GC3□ / H28□ | | | | | |

<About product code>

The product codes of Okamura items consist of numbers and letters, and in general 6-digit product code and 4-digit specification (color) code.

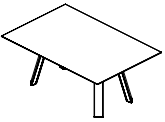
• Please refer to page 6.

4LSAFB-GC31

Product code (6 digits) Specification (color code)

Product Codes

Corian®/ Glass top

| Rectangle | H | L | W | Leg Finish | Using Tech Cradle | Product Code |
|--|---------------------|---------------------|---------------------|-------------------|-------------------|--------------|
|  <p>Standard height 29"</p> | 96" | 42" | Clear anodized(A03) | No | 4LSAJC-GC3□/ H28□ | |
| | | | | Yes | 4LSBJC-GC3□/ H28□ | |
| | | | Bright White(ZG26) | No | 4LSDJC-GC3□/ H28□ | |
| | | | | Yes | 4LSEJC-GC3□/ H28□ | |
| | | | Silver Gray(ZG27) | No | 4LSGJC-GC3□/ H28□ | |
| | | | Yes | 4LSHJC-GC3□/ H28□ | | |
| | | Concrete Gray(ZG28) | No | 4LSKJC-GC3□/ H28□ | | |
| | | | Yes | 4LSLJC-GC3□/ H28□ | | |
| | | Black(ZG29) | No | 4LSNJC-GC3□/ H28□ | | |
| | | | Yes | 4LSPJC-GC3□/ H28□ | | |
| | 48" | Clear anodized(A03) | No | 4LSAJD-GC3□/ H28□ | | |
| | | | Yes | 4LSBJD-GC3□/ H28□ | | |
| | | Bright White(ZG26) | No | 4LSDJD-GC3□/ H28□ | | |
| | | | Yes | 4LSEJD-GC3□/ H28□ | | |
| | | Silver Gray(ZG27) | No | 4LSGJD-GC3□/ H28□ | | |
| | | | Yes | 4LSHJD-GC3□/ H28□ | | |
| | | Concrete Gray(ZG28) | No | 4LSKJD-GC3□/ H28□ | | |
| | | | Yes | 4LSLJD-GC3□/ H28□ | | |
| | | Black(ZG29) | No | 4LSNJD-GC3□/ H28□ | | |
| | | | Yes | 4LSPJD-GC3□/ H28□ | | |
| | 108" | 42" | Clear anodized(A03) | No | 4LSAKC-GC3□/ H28□ | |
| | | | | Yes | 4LSBKC-GC3□/ H28□ | |
| | | | Bright White(ZG26) | No | 4LSDKC-GC3□/ H28□ | |
| | | | | Yes | 4LSEKC-GC3□/ H28□ | |
| | | | Silver Gray(ZG27) | No | 4LSGKC-GC3□/ H28□ | |
| | | | Yes | 4LSHKC-GC3□/ H28□ | | |
| | | Concrete Gray(ZG28) | No | 4LSKKC-GC3□/ H28□ | | |
| | | | Yes | 4LSLKC-GC3□/ H28□ | | |
| | | Black(ZG29) | No | 4LSNKC-GC3□/ H28□ | | |
| | | | Yes | 4LSPKC-GC3□/ H28□ | | |
| | 48" | Clear anodized(A03) | No | 4LSAKD-GC3□/ H28□ | | |
| | | | Yes | 4LSBKD-GC3□/ H28□ | | |
| | | Bright White(ZG26) | No | 4LSDKD-GC3□/ H28□ | | |
| | | | Yes | 4LSEKD-GC3□/ H28□ | | |
| | | Silver Gray(ZG27) | No | 4LSGKD-GC3□/ H28□ | | |
| | | Yes | 4LSHKD-GC3□/ H28□ | | | |
| | Concrete Gray(ZG28) | No | 4LSKGD-GC3□/ H28□ | | | |
| | | Yes | 4LSLKD-GC3□/ H28□ | | | |
| | Black(ZG29) | No | 4LSNKD-GC3□/ H28□ | | | |
| | | Yes | 4LSPKD-GC3□/ H28□ | | | |
| | 54" | Clear anodized(A03) | No | 4LSAKE-GC3□/ H28□ | | |
| | | | Yes | 4LSBKE-GC3□/ H28□ | | |
| | | Bright White(ZG26) | No | 4LSDKE-GC3□/ H28□ | | |
| | | | Yes | 4LSEKE-GC3□/ H28□ | | |
| | | Silver Gray(ZG27) | No | 4LSGKE-GC3□/ H28□ | | |
| | Yes | 4LSHKE-GC3□/ H28□ | | | | |
| Concrete Gray(ZG28) | No | 4LSKKE-GC3□/ H28□ | | | | |
| | Yes | 4LSLKE-GC3□/ H28□ | | | | |
| Black(ZG29) | No | 4LSNKE-GC3□/ H28□ | | | | |
| | Yes | 4LSPKE-GC3□/ H28□ | | | | |
| 120" | 48" | Clear anodized(A03) | No | 4LSALD-GC3□/ H28□ | | |
| | | | Yes | 4LSBLD-GC3□/ H28□ | | |
| | | Bright White(ZG26) | No | 4LSDLG-GC3□/ H28□ | | |
| | | | Yes | 4LSELD-GC3□/ H28□ | | |
| | | Silver Gray(ZG27) | No | 4LSGLD-GC3□/ H28□ | | |
| | Yes | 4LSHLD-GC3□/ H28□ | | | | |
| Concrete Gray(ZG28) | No | 4LSKLD-GC3□/ H28□ | | | | |
| | Yes | 4LSLLD-GC3□/ H28□ | | | | |
| Black(ZG29) | No | 4LSNLD-GC3□/ H28□ | | | | |
| | Yes | 4LSPLD-GC3□/ H28□ | | | | |

<About product code>

The product codes of Okamura items consist of numbers and letters, and in general 6-digit product code and 4-digit specification (color) code.

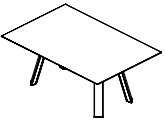
• Please refer to page 6.

4LSAFB-GC31

Product code (6 digits) Specification (color code)

Product Codes

Corian®/ Glass top

| Rectangle | | H | L | W | Leg Finish | Using Tech Cradle | Product Code |
|---|------------------------|---------------------|---------------------|---------------------|-------------------|-------------------|--------------|
|  | Standard height 29" | 120" | 54" | Clear anodized(A03) | No | 4LSALE-GC3□/ H28□ | |
| | | | | | Yes | 4LSBLE-GC3□/ H28□ | |
| | | | | Bright White(ZG26) | No | 4LSDLE-GC3□/ H28□ | |
| | | | | | Yes | 4LSELE-GC3□/ H28□ | |
| | | | | Silver Gray(ZG27) | No | 4LSGLE-GC3□/ H28□ | |
| | | | | Yes | 4LSHLE-GC3□/ H28□ | | |
| | | | Concrete Gray(ZG28) | No | 4LSKLE-GC3□/ H28□ | | |
| | | | | Yes | 4LSLLE-GC3□/ H28□ | | |
| | | | Black(ZG29) | No | 4LSNLE-GC3□/ H28□ | | |
| | | | | Yes | 4LSPLE-GC3□/ H28□ | | |
| | | 60" | Clear anodized(A03) | No | 4LSALF-GC3□/ H28□ | | |
| | | | | Yes | 4LSBLF-GC3□/ H28□ | | |
| | | | Bright White(ZG26) | No | 4LSDLF-GC3□/ H28□ | | |
| | | | | Yes | 4LSELF-GC3□/ H28□ | | |
| | | | Silver Gray(ZG27) | No | 4LSGLF-GC3□/ H28□ | | |
| | | | Yes | 4LSHLF-GC3□/ H28□ | | | |
| | | Concrete Gray(ZG28) | No | 4LSKLF-GC3□/ H28□ | | | |
| | | | Yes | 4LSLLF-GC3□/ H28□ | | | |
| | | Black(ZG29) | No | 4LSNLF-GC3□/ H28□ | | | |
| | | | Yes | 4LSPLF-GC3□/ H28□ | | | |
| 132" | 48" | Clear anodized(A03) | No | 4LSAMD-GC3□/ H28□ | | | |
| | | | Yes | 4LSBMD-GC3□/ H28□ | | | |
| | | Bright White(ZG26) | No | 4LSDMD-GC3□/ H28□ | | | |
| | | | Yes | 4LSEMD-GC3□/ H28□ | | | |
| | | Silver Gray(ZG27) | No | 4LSGMD-GC3□/ H28□ | | | |
| | | Yes | 4LSHMD-GC3□/ H28□ | | | | |
| | Concrete Gray(ZG28) | No | 4LSKMD-GC3□/ H28□ | | | | |
| | | Yes | 4LSLMD-GC3□/ H28□ | | | | |
| | Black(ZG29) | No | 4LSNMD-GC3□/ H28□ | | | | |
| | | Yes | 4LSPMD-GC3□/ H28□ | | | | |
| 54" | Clear anodized(A03) | No | 4LSAME-GC3□/ H28□ | | | | |
| | | Yes | 4LSBME-GC3□/ H28□ | | | | |
| | Bright White(ZG26) | No | 4LSDME-GC3□/ H28□ | | | | |
| | | Yes | 4LSEME-GC3□/ H28□ | | | | |
| | Silver Gray(ZG27) | No | 4LSGME-GC3□/ H28□ | | | | |
| | Yes | 4LSHME-GC3□/ H28□ | | | | | |
| Concrete Gray(ZG28) | No | 4LSKME-GC3□/ H28□ | | | | | |
| | Yes | 4LSLME-GC3□/ H28□ | | | | | |
| Black(ZG29) | No | 4LSNME-GC3□/ H28□ | | | | | |
| | Yes | 4LSPME-GC3□/ H28□ | | | | | |
| 60" | Clear anodized(A03) | No | 4LSAMF-GC3□/ H28□ | | | | |
| | | Yes | 4LSBMF-GC3□/ H28□ | | | | |
| | Bright White(ZG26) | No | 4LSDMF-GC3□/ H28□ | | | | |
| | | Yes | 4LSEMF-GC3□/ H28□ | | | | |
| | Silver Gray(ZG27) | No | 4LSGMF-GC3□/ H28□ | | | | |
| | Yes | 4LSHMF-GC3□/ H28□ | | | | | |
| Concrete Gray(ZG28) | No | 4LSKMF-GC3□/ H28□ | | | | | |
| | Yes | 4LSLMF-GC3□/ H28□ | | | | | |
| Black(ZG29) | No | 4LSNMF-GC3□/ H28□ | | | | | |
| | Yes | 4LSPMF-GC3□/ H28□ | | | | | |
| 144" | 48" | Clear anodized(A03) | No | 4LSAND-GC3□/ H28□ | | | |
| | | | Yes | 4LSBND-GC3□/ H28□ | | | |
| | | Bright White(ZG26) | No | 4LSDND-GC3□/ H28□ | | | |
| | | | Yes | 4LSEND-GC3□/ H28□ | | | |
| | | Silver Gray(ZG27) | No | 4LSGND-GC3□/ H28□ | | | |
| | Yes | 4LSHND-GC3□/ H28□ | | | | | |
| Concrete Gray(ZG28) | No | 4LSKND-GC3□/ H28□ | | | | | |
| | Yes | 4LSLND-GC3□/ H28□ | | | | | |
| Black(ZG29) | No | 4LSNND-GC3□/ H28□ | | | | | |
| | Yes | 4LSPND-GC3□/ H28□ | | | | | |

<About product code>

The product codes of Okamura items consist of numbers and letters, and in general 6-digit product code and 4-digit specification (color) code.

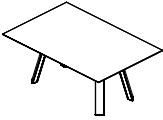
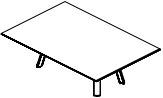
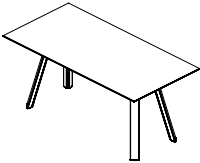
• Please refer to page 6.

4LSAFB-GC31

Product code (6 digits) Specification (color code)

Product Codes

Corian®/ Glass top

| Rectangle | | H | L | W | Leg Finish | Using Tech Cradle | Product Code | |
|--|------------------------|---|---------------------|---------------------|-------------------|---------------------|--------------|------------------|
|  | Standard height 29" | 144" | 54" | Clear anodized(A03) | No | 4LSANE-GC3□/ H28□ | | |
| | | | | | Yes | 4LSBNE-GC3□/ H28□ | | |
| | | | | Bright White(ZG26) | No | 4LSDNE-GC3□/ H28□ | | |
| | | | | | Yes | 4LSENE-GC3□/ H28□ | | |
| | | | | Silver Gray(ZG27) | No | 4LSGNE-GC3□/ H28□ | | |
| | | | | Yes | 4LSHNE-GC3□/ H28□ | | | |
| | | | Concrete Gray(ZG28) | No | 4LSKNE-GC3□/ H28□ | | | |
| | | | | Yes | 4LSLNE-GC3□/ H28□ | | | |
| | | | Black(ZG29) | No | 4LSNNE-GC3□/ H28□ | | | |
| | | | | Yes | 4LSPNE-GC3□/ H28□ | | | |
| | | 60" | Clear anodized(A03) | No | 4LSANF-GC3□/ H28□ | | | |
| | | | | Yes | 4LSBNF-GC3□/ H28□ | | | |
| | | | Bright White(ZG26) | No | 4LSDNF-GC3□/ H28□ | | | |
| | | | | Yes | 4LSENF-GC3□/ H28□ | | | |
| | | | Silver Gray(ZG27) | No | 4LSGNF-GC3□/ H28□ | | | |
| | | | Yes | 4LSHNF-GC3□/ H28□ | | | | |
| | | Concrete Gray(ZG28) | No | 4LSKNF-GC3□/ H28□ | | | | |
| | | | Yes | 4LSLNF-GC3□/ H28□ | | | | |
| | | Black(ZG29) | No | 4LSNNF-GC3□/ H28□ | | | | |
| | | | Yes | 4LSPNF-GC3□/ H28□ | | | | |
|  | Low height 20" | 60" | 30" | Clear anodized(A03) | No | 4LTAFAGC3□/ H28□ | | |
| | | | | Bright White(ZG26) | | 4LTDFA-GC3□/ H28□ | | |
| | | | | Silver Gray(ZG27) | | 4LTGFA-GC3□/ H28□ | | |
| | | | | Concrete Gray(ZG28) | | 4LTKFA-GC3□/ H28□ | | |
| | | | | Black(ZG29) | | 4LTNFA-GC3□/ H28□ | | |
| | | 72" | 36" | Clear anodized(A03) | No | 4LTAGB-GC3□/ H28□ | | |
| | | | | Bright White(ZG26) | | 4LTDGB-GC3□/ H28□ | | |
| | | | | Silver Gray(ZG27) | | 4LTGGB-GC3□/ H28□ | | |
| | | | | Concrete Gray(ZG28) | | 4LTKGB-GC3□/ H28□ | | |
| | | | | Black(ZG29) | | 4LTNGB-GC3□/ H28□ | | |
| | |  | Bar height 42" | 96" | 42" | Clear anodized(A03) | No | 4LUAJCGC3□/ H28□ |
| | | | | | | | Yes | 4LUBJCGC3□/ H28□ |
| | | | | | | Bright White(ZG26) | No | 4LUDJCGC3□/ H28□ |
| | | | | | | | Yes | 4LUEJCGC3□/ H28□ |
| Silver Gray(ZG27) | No | | | | | 4LUGJCGC3□/ H28□ | | |
| | Yes | | | | 4LUHJCGC3□/ H28□ | | | |
| Concrete Gray(ZG28) | No | | | | 4LUKJCGC3□/ H28□ | | | |
| | Yes | | | | 4LULJCGC3□/ H28□ | | | |
| Black(ZG29) | No | | | | 4LUNJCGC3□/ H28□ | | | |
| | Yes | | | | 4LUPJCGC3□/ H28□ | | | |
| 120" | 48" | | | Clear anodized(A03) | No | 4LUALD-GC3□/ H28□ | | |
| | | | | | Yes | 4LUBLD-GC3□/ H28□ | | |
| | | | | Bright White(ZG26) | No | 4LUDLD-GC3□/ H28□ | | |
| | | | | | Yes | 4LUELD-GC3□/ H28□ | | |
| | | Silver Gray(ZG27) | No | 4LUGLD-GC3□/ H28□ | | | | |
| | Yes | 4LUHLD-GC3□/ H28□ | | | | | | |
| Concrete Gray(ZG28) | No | 4LUKLD-GC3□/ H28□ | | | | | | |
| | Yes | 4LULLD-GC3□/ H28□ | | | | | | |
| Black(ZG29) | No | 4LUNLD-GC3□/ H28□ | | | | | | |
| | Yes | 4LUPLD-GC3□/ H28□ | | | | | | |
| 144" | 54" | Clear anodized(A03) | No | 4LUANE-GC3□/ H28□ | | | | |
| | | | Yes | 4LUBNE-GC3□/ H28□ | | | | |
| | | Bright White(ZG26) | No | 4LUDNE-GC3□/ H28□ | | | | |
| | | | Yes | 4LUENE-GC3□/ H28□ | | | | |
| | | Silver Gray(ZG27) | No | 4LUGNE-GC3□/ H28□ | | | | |
| | | Yes | 4LUHNE-GC3□/ H28□ | | | | | |
| | Concrete Gray(ZG28) | No | 4LUKNE-GC3□/ H28□ | | | | | |
| | | Yes | 4LULNE-GC3□/ H28□ | | | | | |
| | Black(ZG29) | No | 4LUNNE-GC3□/ H28□ | | | | | |
| | | Yes | 4LUPNE-GC3□/ H28□ | | | | | |

<About product code>

The product codes of Okamura items consist of numbers and letters, and in general 6-digit product code and 4-digit specification (color) code.

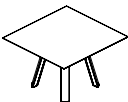
• Please refer to page 6.

4LSAFB-GC31

Product code (6 digits) Specification (color code)

Product Codes

Corian®/ Glass top

| Square | H | L | W | Leg Finish | Using Tech Cradle | Product Code |
|--|------------------------|---------------------|-----|---------------------|-------------------|-------------------|
|  | Standard height 29" | 36" | 36" | Clear anodized(A03) | No | 4LAABB-GC3□/ H28□ |
| | | | | | Yes | 4LABBB-GC3□/ H28□ |
| | | | | Bright White(ZG26) | No | 4LADBB-GC3□/ H28□ |
| | | | | | Yes | 4LAEBB-GC3□/ H28□ |
| | | | | Silver Gray(ZG27) | No | 4LAGBB-GC3□/ H28□ |
| | | | | | Yes | 4LAHBB-GC3□/ H28□ |
| | | | | Concrete Gray(ZG28) | No | 4LAKBB-GC3□/ H28□ |
| | | | | | Yes | 4LALBB-GC3□/ H28□ |
| | | | | Black(ZG29) | No | 4LANBB-GC3□/ H28□ |
| | | | | | Yes | 4LAPBB-GC3□/ H28□ |
| | | 42" | 42" | Clear anodized(A03) | No | 4LAACC-GC3□/ H28□ |
| | | | | | Yes | 4LABCC-GC3□/ H28□ |
| | | | | Bright White(ZG26) | No | 4LADCC-GC3□/ H28□ |
| | | | | | Yes | 4LAECC-GC3□/ H28□ |
| | | | | Silver Gray(ZG27) | No | 4LAGCC-GC3□/ H28□ |
| | | | | | Yes | 4LAHCC-GC3□/ H28□ |
| | | | | Concrete Gray(ZG28) | No | 4LAKCC-GC3□/ H28□ |
| | | | | | Yes | 4LALCC-GC3□/ H28□ |
| | | | | Black(ZG29) | No | 4LANCC-GC3□/ H28□ |
| | | | | | Yes | 4LAPCC-GC3□/ H28□ |
| | | 48" | 48" | Clear anodized(A03) | No | 4LAADD-GC3□/ H28□ |
| | | | | | Yes | 4LABDD-GC3□/ H28□ |
| | | | | Bright White(ZG26) | No | 4LADDD-GC3□/ H28□ |
| | | | | | Yes | 4LAEDD-GC3□/ H28□ |
| | | | | Silver Gray(ZG27) | No | 4LAGDD-GC3□/ H28□ |
| | | | | | Yes | 4LAHDD-GC3□/ H28□ |
| | | | | Concrete Gray(ZG28) | No | 4LAKDD-GC3□/ H28□ |
| | | | | | Yes | 4LALDD-GC3□/ H28□ |
| | | | | Black(ZG29) | No | 4LANDD-GC3□/ H28□ |
| | | | | | Yes | 4LAPDD-GC3□/ H28□ |
| 54" | 54" | Clear anodized(A03) | No | 4LAAEE-GC3□/ H28□ | | |
| | | | Yes | 4LABEE-GC3□/ H28□ | | |
| | | Bright White(ZG26) | No | 4LADEE-GC3□/ H28□ | | |
| | | | Yes | 4LAEDE-GC3□/ H28□ | | |
| | | Silver Gray(ZG27) | No | 4LAGEE-GC3□/ H28□ | | |
| | | | Yes | 4LAHEE-GC3□/ H28□ | | |
| | | Concrete Gray(ZG28) | No | 4LAKEE-GC3□/ H28□ | | |
| | | | Yes | 4LAL EE-GC3□/ H28□ | | |
| | | Black(ZG29) | No | 4LANEE-GC3□/ H28□ | | |
| | | | Yes | 4LAPEE-GC3□/ H28□ | | |
| 60" | 60" | Clear anodized(A03) | No | 4LAAFF-GC3□/ H28□ | | |
| | | | Yes | 4LABFF-GC3□/ H28□ | | |
| | | Bright White(ZG26) | No | 4LADFF-GC3□/ H28□ | | |
| | | | Yes | 4LAEFF-GC3□/ H28□ | | |
| | | Silver Gray(ZG27) | No | 4LAGFF-GC3□/ H28□ | | |
| | | | Yes | 4LAHFF-GC3□/ H28□ | | |
| | | Concrete Gray(ZG28) | No | 4LAKFF-GC3□/ H28□ | | |
| | | | Yes | 4LALFF-GC3□/ H28□ | | |
| | | Black(ZG29) | No | 4LANFF-GC3□/ H28□ | | |
| | | | Yes | 4LAPFF-GC3□/ H28□ | | |

<About product code>

The product codes of Okamura items consist of numbers and letters, and in general 6-digit product code and 4-digit specification (color) code.

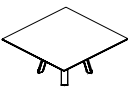
- Please refer to page 6.

4LSAFB-GC31

Product code (6 digits) Specification (color code)

Product Codes

Corian®/ Glass top

| Square | H | L | W | Leg Finish | Using Tech Cradle | Product Code |
|---|---------------------------|-----|-----|---------------------|-------------------|-------------------|
|  | Low height 20" | 36" | 36" | Clear anodized(A03) | No | 4LBABB-GC3□/ H28□ |
| | | | | Bright White(ZG26) | | 4LBDBB-GC3□/ H28□ |
| | | | | Silver Gray(ZG27) | | 4LBGBB-GC3□/ H28□ |
| | | | | Concrete Gray(ZG28) | | 4LBKBB-GC3□/ H28□ |
| | | | | Black(ZG29) | | 4LBNBB-GC3□/ H28□ |
| | | 42 | 42" | Clear anodized(A03) | No | 4LBACC-GC3□/ H28□ |
| | | | | Bright White(ZG26) | | 4LBDCC-GC3□/ H28□ |
| | | | | Silver Gray(ZG27) | | 4LBGCC-GC3□/ H28□ |
| | | | | Concrete Gray(ZG28) | | 4LBKCC-GC3□/ H28□ |
| | | | | Black(ZG29) | | 4LBNCC-GC3□/ H28□ |
| | | 48" | 48" | Clear anodized(A03) | No | 4LBADD-GC3□/ H28□ |
| | | | | Bright White(ZG26) | | 4LBDDD-GC3□/ H28□ |
| | | | | Silver Gray(ZG27) | | 4LBGDD-GC3□/ H28□ |
| | | | | Concrete Gray(ZG28) | | 4LBKDD-GC3□/ H28□ |
| | | | | Black(ZG29) | | 4LBNDD-GC3□/ H28□ |

<About product code>

The product codes of Okamura items consist of numbers and letters, and in general 6-digit product code and 4-digit specification (color) code.


- Please refer to page 6.

4LSAFB-GC31

Product code (6 digits) Specification (color code)

Product Codes

Corian®/ Glass top

| Round | H | L | W | Leg Finish | Using Tech Cradle | Product Code |
|--|------------------------|---------------------|-----|---------------------|-------------------|-------------------|
|  | Standard height 29" | 36" | 36" | Clear anodized(A03) | No | 4LCABB-GC3□/ H28□ |
| | | | | | Yes | 4LCBBB-GC3□/ H28□ |
| | | | | Bright White(ZG26) | No | 4LCDBB-GC3□/ H28□ |
| | | | | | Yes | 4LCEBB-GC3□/ H28□ |
| | | | | Silver Gray(ZG27) | No | 4LCGBB-GC3□/ H28□ |
| | | | | | Yes | 4LCHBB-GC3□/ H28□ |
| | | | | Concrete Gray(ZG28) | No | 4LCKBB-GC3□/ H28□ |
| | | | | | Yes | 4LCLBB-GC3□/ H28□ |
| | | | | Black(ZG29) | No | 4LCNBB-GC3□/ H28□ |
| | | | | | Yes | 4LCPBB-GC3□/ H28□ |
| | | 42" | 42" | Clear anodized(A03) | No | 4LCACC-GC3□/ H28□ |
| | | | | | Yes | 4LCBCC-GC3□/ H28□ |
| | | | | Bright White(ZG26) | No | 4LCDCC-GC3□/ H28□ |
| | | | | | Yes | 4LCECC-GC3□/ H28□ |
| | | | | Silver Gray(ZG27) | No | 4LCGCC-GC3□/ H28□ |
| | | | | | Yes | 4LCHCC-GC3□/ H28□ |
| | | | | Concrete Gray(ZG28) | No | 4LCKCC-GC3□/ H28□ |
| | | | | | Yes | 4LCLCC-GC3□/ H28□ |
| | | | | Black(ZG29) | No | 4LCNCC-GC3□/ H28□ |
| | | | | | Yes | 4LCPCC-GC3□/ H28□ |
| | | 48" | 48" | Clear anodized(A03) | No | 4LCADD-GC3□/ H28□ |
| | | | | | Yes | 4LCBDD-GC3□/ H28□ |
| | | | | Bright White(ZG26) | No | 4LCDDD-GC3□/ H28□ |
| | | | | | Yes | 4LCEDD-GC3□/ H28□ |
| | | | | Silver Gray(ZG27) | No | 4LCGDD-GC3□/ H28□ |
| | | | | | Yes | 4LCHDD-GC3□/ H28□ |
| | | | | Concrete Gray(ZG28) | No | 4LCKDD-GC3□/ H28□ |
| | | | | | Yes | 4LCLDD-GC3□/ H28□ |
| | | | | Black(ZG29) | No | 4LCNDD-GC3□/ H28□ |
| | | | | | Yes | 4LCPDD-GC3□/ H28□ |
| 54" | 54" | Clear anodized(A03) | No | 4LCAEE-GC3□/ H28□ | | |
| | | | Yes | 4LCBEE-GC3□/ H28□ | | |
| | | Bright White(ZG26) | No | 4LCDEE-GC3□/ H28□ | | |
| | | | Yes | 4LCEEE-GC3□/ H28□ | | |
| | | Silver Gray(ZG27) | No | 4LCGEE-GC3□/ H28□ | | |
| | | | Yes | 4LCHEE-GC3□/ H28□ | | |
| | | Concrete Gray(ZG28) | No | 4LCKEE-GC3□/ H28□ | | |
| | | | Yes | 4LCL EE-GC3□/ H28□ | | |
| | | Black(ZG29) | No | 4LCNEE-GC3□/ H28□ | | |
| | | | Yes | 4LCP EE-GC3□/ H28□ | | |
| 60" | 60" | Clear anodized(A03) | No | 4LCAFF-GC3□/ H28□ | | |
| | | | Yes | 4LCBFF-GC3□/ H28□ | | |
| | | Bright White(ZG26) | No | 4LCDFF-GC3□/ H28□ | | |
| | | | Yes | 4LCEFF-GC3□/ H28□ | | |
| | | Silver Gray(ZG27) | No | 4LCGFF-GC3□/ H28□ | | |
| | | | Yes | 4LCHFF-GC3□/ H28□ | | |
| | | Concrete Gray(ZG28) | No | 4LCKFF-GC3□/ H28□ | | |
| | | | Yes | 4LCLFF-GC3□/ H28□ | | |
| | | Black(ZG29) | No | 4LCNFF-GC3□/ H28□ | | |
| | | | Yes | 4LCPFF-GC3□/ H28□ | | |

<About product code>

The product codes of Okamura items consist of numbers and letters, and in general 6-digit product code and 4-digit specification (color) code.

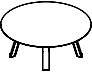
- Please refer to page 6.

4LSAFB-GC31

Product code (6 digits) Specification (color code)

Product Codes

Corian®/ Glass top

| Round | H | L | W | Leg Finish | Using Tech Cradle | Product Code |
|---|---------------------------|-----|-----|---------------------|-------------------|-------------------|
|  | Low height 20" | 36" | 36" | Clear anodized(A03) | No | 4LDABB-GC3□/ H28□ |
| | | | | Bright White(ZG26) | | 4LDDBB-GC3□/ H28□ |
| | | | | Silver Gray(ZG27) | | 4LDGBB-GC3□/ H28□ |
| | | | | Concrete Gray(ZG28) | | 4LDKBB-GC3□/ H28□ |
| | | | | Black(ZG29) | | 4LDNBB-GC3□/ H28□ |
| | | 42 | 42" | Clear anodized(A03) | No | 4LDACC-GC3□/ H28□ |
| | | | | Bright White(ZG26) | | 4LDDCC-GC3□/ H28□ |
| | | | | Silver Gray(ZG27) | | 4LDGCC-GC3□/ H28□ |
| | | | | Concrete Gray(ZG28) | | 4LDKCC-GC3□/ H28□ |
| | | | | Black(ZG29) | | 4LDNCC-GC3□/ H28□ |
| | | 48" | 48" | Clear anodized(A03) | No | 4LDADD-GC3□/ H28□ |
| | | | | Bright White(ZG26) | | 4LDDDD-GC3□/ H28□ |
| | | | | Silver Gray(ZG27) | | 4LDGDD-GC3□/ H28□ |
| | | | | Concrete Gray(ZG28) | | 4LDKDD-GC3□/ H28□ |
| | | | | Black(ZG29) | | 4LDNDD-GC3□/ H28□ |

<About product code>

The product codes of Okamura items consist of numbers and letters, and in general 6-digit product code and 4-digit specification (color) code.

- Please refer to page 6.

4LSAFB-GC31

Product code (6 digits) Specification (color code)

Credenza

Design Concept

The Credenza was designed to fit various conference room interiors. Its simple design and sophisticated details match high-end boardrooms beautifully. The Credenza is offered in 13 high-quality wood veneer finishes and 9 high-pressure laminate finishes, aligned with the traverse satellite conference table.



Variation



Aluminum base



Plinth base

Product Details

The **Top** grain runs horizontally, creating beautiful, broad lines.
*Available top material: Veneer, Laminate, Corian®



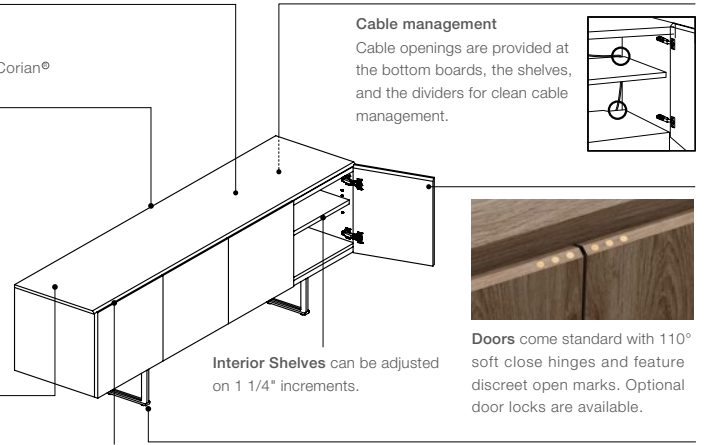
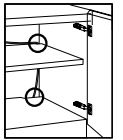
The **Back and Interior** are finished with the same beautiful veneer or laminate as the exterior.



Add-on Glass Top can be specified as an option (pre-installed).
*1/4" thick back-painted low-iron clear glass

Cable management

Cable openings are provided at the bottom boards, the shelves, and the dividers for clean cable management.



Interior Shelves can be adjusted on 1 1/4" increments.



Doors come standard with 110° soft close hinges and feature discreet open marks. Optional door locks are available.



Bevel Edge Profile make doors easy to open, despite their minimal design.



Bases are available in two types-Aluminum base, Plinth base.

Tabletop Finishes

High Pressure Laminate (Standard matte finish)



MDM1 Brite White
MDM2 Platinum
MDM3 Fog

High Pressure Laminate (Anti-finger print super matte infiniti finish)



MDM4 Brite White
MDM5 Platinum
MDM7 Fog
MDM8 Mouse
MDM6 Terril
MDM9 Black

Reconstituted Wood Veneer



WG52 Oak Grey
WG51 Oak Chrome
WG53 Ziricote
WG54 Walnut Tropical
WG55 Ebony Light
WG56 Walnut

Natural Wood Veneer



WE51 Dyed Oak
WE52 Dark Sapele
WE53 Walnut
WE54 Teak
WE55 Oak
WE56 Figured Maple
WG57 Paldao

Glass (Option)



H287 White
H288 Metal Gray
H289 Black

Corian®



GC31 Designer White
GC32 Silver Gray
GC33 Neutral Concrete
GC34 Deep Nocturne

Credenza

Aluminum base

W=20"

| H L | | 60" | 72" | 84" | 96" | 108" | |
|-----|----------|---------------------------|-------------|-------------|-------------|-------------|-------------|
| 29" | | | | | | | |
| | Case | Table top | | | | | |
| | Veneer | veneer | 4LHCAA-W□□□ | 4LHCAB-W□□□ | 4LHCAC-W□□□ | 4LHCAD-W□□□ | 4LHCAE-W□□□ |
| | | corian (Designer White) | 4LHCEA-GG31 | 4LHCEB-GG31 | 4LHCEC-GG31 | 4LHCED-GG31 | 4LHCEE-GG31 |
| | | corian (Silver Gray) | 4LHCEF-GG32 | 4LHCEG-GG32 | 4LHCEH-GG32 | 4LHCEJ-GG32 | 4LHCEK-GG32 |
| | | corian (Neutral Concrete) | 4LHCEL-GG33 | 4LHCEN-GG33 | 4LHCER-GG33 | 4LHCEP-GG33 | 4LHCEQ-GG33 |
| | | corian (Deep Nocturne) | 4LHCER-GG34 | 4LHCES-GG34 | 4LHCET-GG34 | 4LHCEU-GG34 | 4LHCEV-GG34 |
| | Laminate | laminare | 4LHCGA-MDM□ | 4LHCGB-MDM□ | 4LHCGC-MDM□ | 4LHCGD-MDM□ | 4LHCGE-MDM□ |
| | | corian (Designer White) | 4LHCLA-GG31 | 4LHCLB-GG31 | 4LHCLC-GG31 | 4LHCLD-GG31 | 4LHCLE-GG31 |
| | | corian (Silver Gray) | 4LHCLF-GG32 | 4LHCLG-GG32 | 4LHCLH-GG32 | 4LHCLJ-GG32 | 4LHCLK-GG32 |
| | | corian (Neutral Concrete) | 4LHCLL-GG33 | 4LHCLM-GG33 | 4LHCLN-GG33 | 4LHCLP-GG33 | 4LHCLQ-GG33 |
| | | corian (Deep Nocturne) | 4LHCLR-GG34 | 4LHCLS-GG34 | 4LHCLT-GG34 | 4LHCLU-GG34 | 4LHCLV-GG34 |

Plinth base

W=20"

| H L | | 60" | 72" | 84" | 96" | 108" | |
|-----|----------|---------------------------|-------------|-------------|-------------|-------------|-------------|
| 29" | | | | | | | |
| | Case | Table top | | | | | |
| | Veneer | veneer | 4LHCZA-W□□□ | 4LHCZB-W□□□ | 4LHCZC-W□□□ | 4LHCZD-W□□□ | 4LHCZE-W□□□ |
| | | corian (Designer White) | 4LHCXA-GG31 | 4LHCXB-GG31 | 4LHCXC-GG31 | 4LHCXD-GG31 | 4LHCXE-GG31 |
| | | corian (Silver Gray) | 4LHCXF-GG32 | 4LHCXG-GG32 | 4LHCXH-GG32 | 4LHCXJ-GG32 | 4LHCXK-GG32 |
| | | corian (Neutral Concrete) | 4LHCXL-GG33 | 4LHCXM-GG33 | 4LHCXN-GG33 | 4LHCXP-GG33 | 4LHCXQ-GG33 |
| | | corian (Deep Nocturne) | 4LHCXR-GG34 | 4LHCXS-GG34 | 4LHCXT-GG34 | 4LHCXU-GG34 | 4LHCXV-GG34 |
| | Laminate | laminare | 4LHCVA-MDM□ | 4LHCVB-MDM□ | 4LHCVC-MDM□ | 4LHCVD-MDM□ | 4LHCVE-MDM□ |
| | | corian (Designer White) | 4LHCNA-GG31 | 4LHCNB-GG31 | 4LHCNC-GG31 | 4LHCND-GG31 | 4LHCNE-GG31 |
| | | corian (Silver Gray) | 4LHCNF-GG32 | 4LHCNG-GG32 | 4LHCNH-GG32 | 4LHCNJ-GG32 | 4LHCNK-GG32 |
| | | corian (Neutral Concrete) | 4LHCNL-GG33 | 4LHCNM-GG33 | 4LHCNN-GG33 | 4LHCNP-GG33 | 4LHCNQ-GG33 |
| | | corian (Deep Nocturne) | 4LHCNR-GG34 | 4LHCNS-GG34 | 4LHCNT-GG34 | 4LHCNU-GG34 | 4LHCNV-GG34 |

Option

inches

| Glass | | 60" | 72" | 84" | 96" | 108" |
|-------|--|-------------|-------------|-------------|-------------|--------------|
| | | 4LHCCA-H28□ | 4LHCCB-H28□ | 4LHCCC-H28□ | 4LHCCD-H28□ | 4LHCC E-H28□ |

<About product code>

The product codes of Okamura items consist of numbers and letters, and in general 6-digit product code and 4-digit specification (color) code.

• Please refer to page 47.

4LHCAA-WE51
 Product code (6 digits) Specification (color code)

okamura