

Creative Workplace

# Alt Living

[Modular Sofa / Bench / Panel / Wiring Net]

## Instructions for Use



## Safety Instructions (Make sure to follow these instructions)

**⚠ WARNING** This indicates that improper handling without giving attention to this indication may result in death or serious injury.

**⚠ CAUTION** This indicates that improper handling may cause injury or property damage.

### ⚠ WARNING

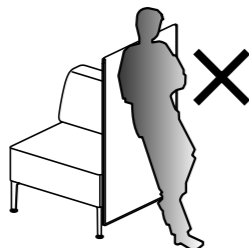
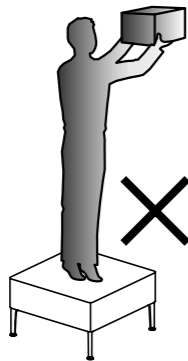
**Be sure to observe the following items regarding the handling of power outlets. Improper handling may cause a fire or electric shock.**

- Do not use any power outlets for harsh applications.
- Outlet overloading may cause a fire.
- Do not forcibly bend or pull the power cord. Failure may damage the cord to cause a fire or electric shock.
- Never insert any metal objects (hairpins, wires, etc.) into the power plug outlet. Failure may cause a fire or electric shock.
- Wipe off any dirt and dust around the power plug and outlet with a soft, dry cloth. Failure may cause ignition or a fire.
- If dust collects in the outlet, it may catch fire. Please clean the outlet on a regular basis.
- Do not splash water to the power outlet or use wet hands to connect or disconnect the power plug. (Failure may cause an electric shock because water easily conducts electricity. Also, note that you will be more likely to get an electric shock if your feet are wet.)

### ⚠ CAUTION

**Avoid rough handling and use for other than the intended purpose. Failure may cause damage to the product or you to fall and get injured.**

- Do not use this product as a step stool.
- Do not stand on the product or sit on the front edge portion of the seat. Failure may cause you to fall and get injured.
- Do not sit on other than the seat. You may fall and get injured or the product may be damaged.
- The panel is used to block the line of sight. Do not lean against the panel or use it as a backrest. Failure may cause the panel to be deformed.



**Observe the following as failure may damage the product or cause you to fall.**

- If the product has become unsteady due to loosening of the bolts or screws during use, retighten them immediately.
- Do not use the product with any parts removed.
- Before moving the product, make sure that there are no obstacles or dangers in the vicinity.**
  - Two or more persons shall be assigned to hold and move the body.
  - Before moving the product, make sure that there are no obstacles or dangers in the vicinity.
  - For adjuster operation, two or more persons shall be assigned as a group to firmly support the product not to get hands or feet caught between the product and the floor.

**Do not put your hands or fingers in the gaps or movable portions. Careless handling may cause injury.**

## Safety Instructions (Make sure to follow these instructions)

### ⚠ CAUTION

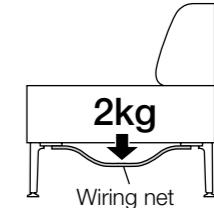
**Do not disassemble or repair the product.**

- It is very dangerous for you to disassemble or repair the product. Be sure to contact our Customer Service if the product has some trouble.
- Do not use the product with loose bolts or screws. Failure may cause the main unit to be broken and cause injury.

**Never remodel the product. Failure may cause a malfunction or accident.**

- Remodeling by the customer may cause a malfunction. In that case, Okamura will not take any responsibility or liability for any phenomena caused.
- If you need to remodel the product, contact our Customer Service.

**Do not place any items exceeding the maximum loading mass. There is a risk of overturning or damage.**



Loading portion	Maximum loading mass
Wiring net	2 kg (Equally distributed mass)

\* Equally distributed mass.....

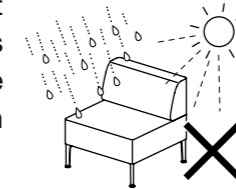
Means that the mass is evenly placed on the top plate, etc. If a partially biased mass is loaded, the balance may be lost to cause the loaded items to drop off or you to fall.

## Precautions on Installation

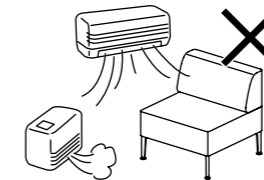
Please follow the instructions below. Failure may cause damage to the product. In that case, Okamura will not take any responsibility or liability for any phenomena caused.

**Be sure to use the product indoors.**

- Do not use the product outdoors or in places exposed to water. Failure may cause damage such as warping and mold.



**Avoid places directly exposed to heat or wind from stoves or air conditioners. Failure may cause deformation or discoloration.**



**Avoid places exposed to direct sunlight. Failure may cause deformation or discoloration.**

- When installing the product near windows, constantly block direct sunlight with curtains, blinds, etc.

**Avoid places with high temperature, high humidity, and extreme dryness. Failure may cause deformation, discoloration, and mold.**

**Install the product so that it will be horizontal.**

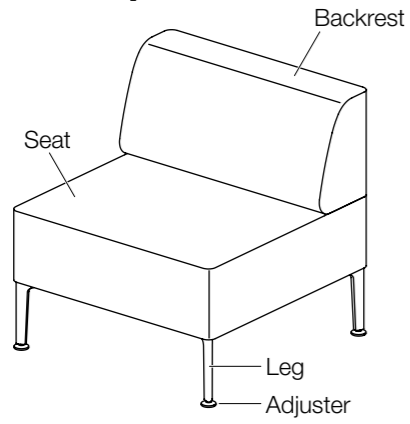
- When installing the product, be sure to keep the body horizontal. Failure may cause the body to be distorted or the movable portion to be defective.
- Operate the adjusters to keep the product horizontal to the floor.

## Appropriate Ventilation Measures

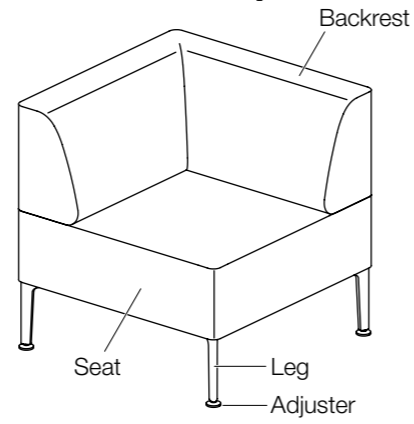
- Immediately after the purchase, there are some cases in which chemical substances are emitted a lot. Be sure to implement sufficient ventilation for a while.
- Immediately after the purchase, there are some cases in which chemical substances are emitted a lot. Be sure to implement sufficient ventilation for a while.

## Part Names

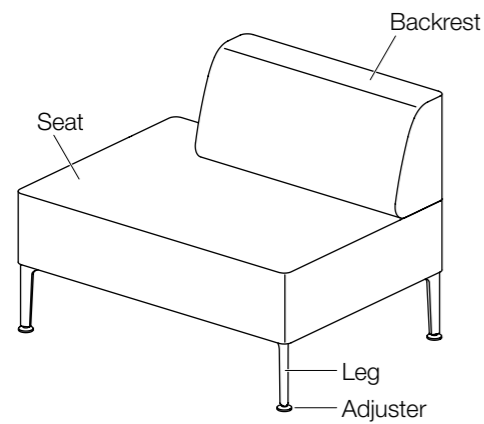
■ Modular Sofa  
[Low Back 700W]



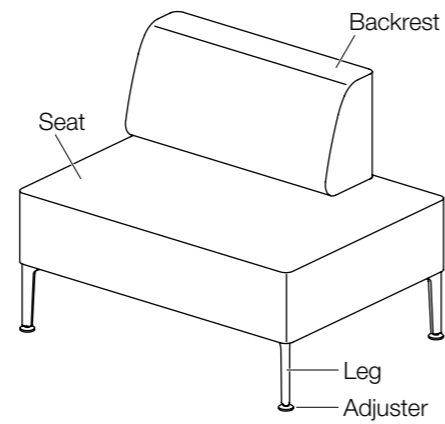
■ Modular Sofa  
[Low Back Internal Corner]



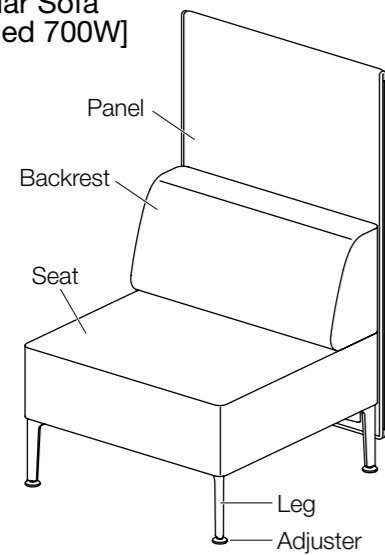
■ Modular Sofa  
[Low Back (R) 950W]



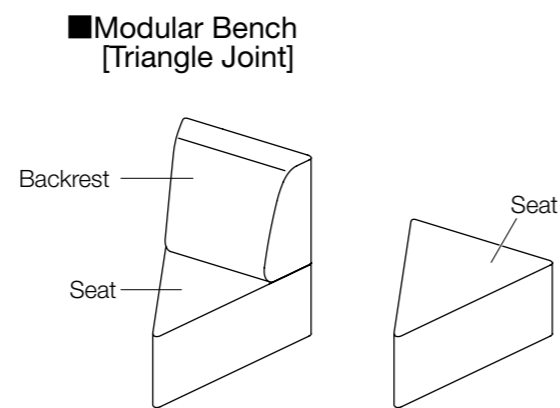
■ Modular Sofa  
[Low Back (L) 950W]



■ Modular Sofa  
[Paneled 700W]

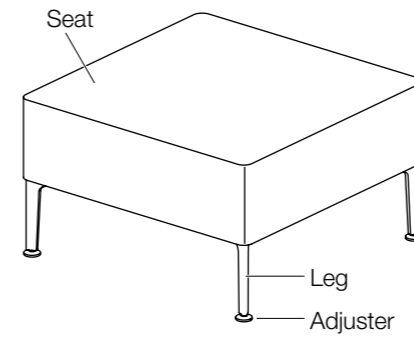


■ Modular Sofa  
[Triangle Joint with Backrest]

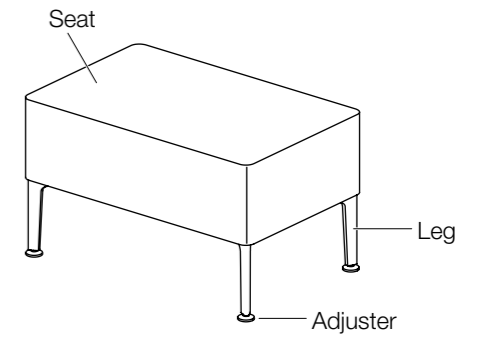


## Part Names

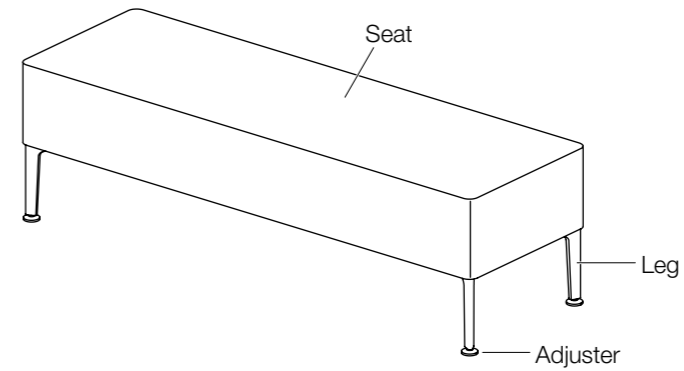
■ Modular Bench  
[700Wx700D]



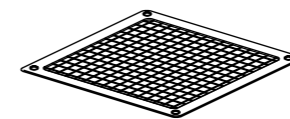
■ Modular Bench  
[700Wx450D]



■ Modular Bench  
[1400Wx450D]



■ Wiring Net



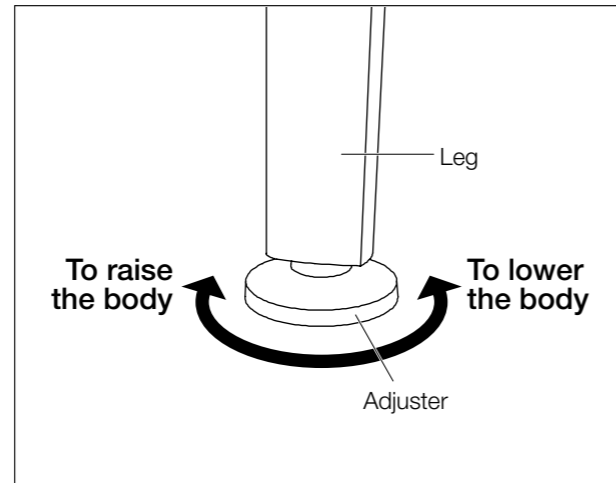
## How to Use the Product

### ■ Adjuster operation

The product height can be adjusted within the range of 0 to 10 mm by rotating the adjusters at the bottom of the body. When installing the product, operate the four adjusters to keep it horizontal.

#### ⚠ CAUTION

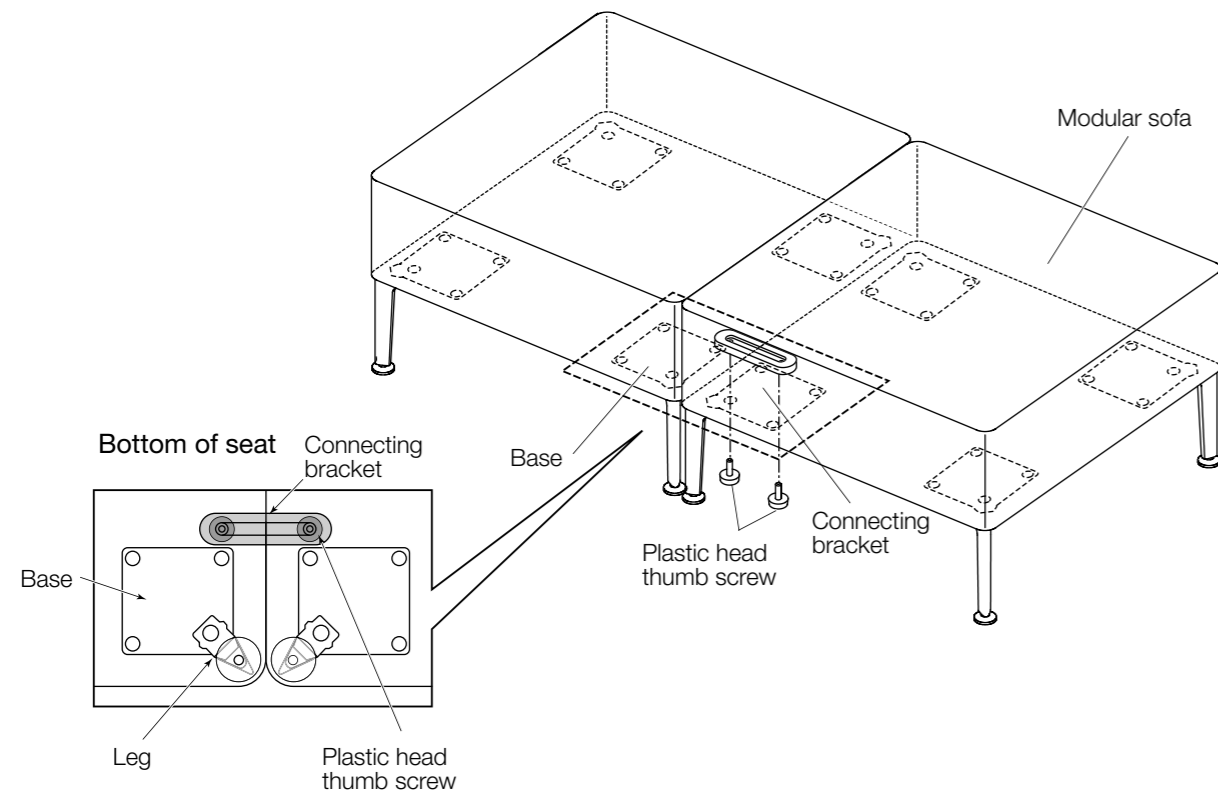
Two or more persons shall be assigned to perform the adjustment work not to get hands or fingers caught between the product and the floor.



### ■ How to connect the modular sofas

#### [Connecting the modular sofas]

Place the module sofas side by side and fix the leg bases with the connecting brackets. (Fix one place each at front and back)



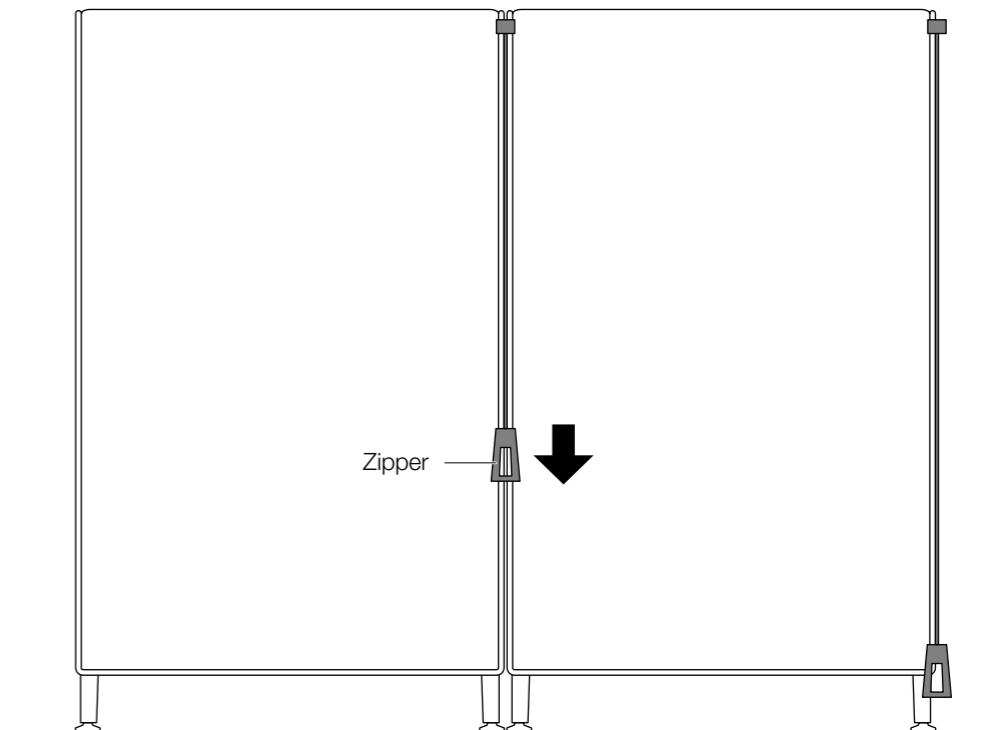
## How to Use the Product

### ■ How to connect paneled modular sofas

When connecting the paneled modular sofas, connect the panels as well.

#### [How to connect panels]

After connecting the modular sofas, pull down the zipper at the top on the rear side of the panels to connect the panels.



#### [How to disconnect the sofas]

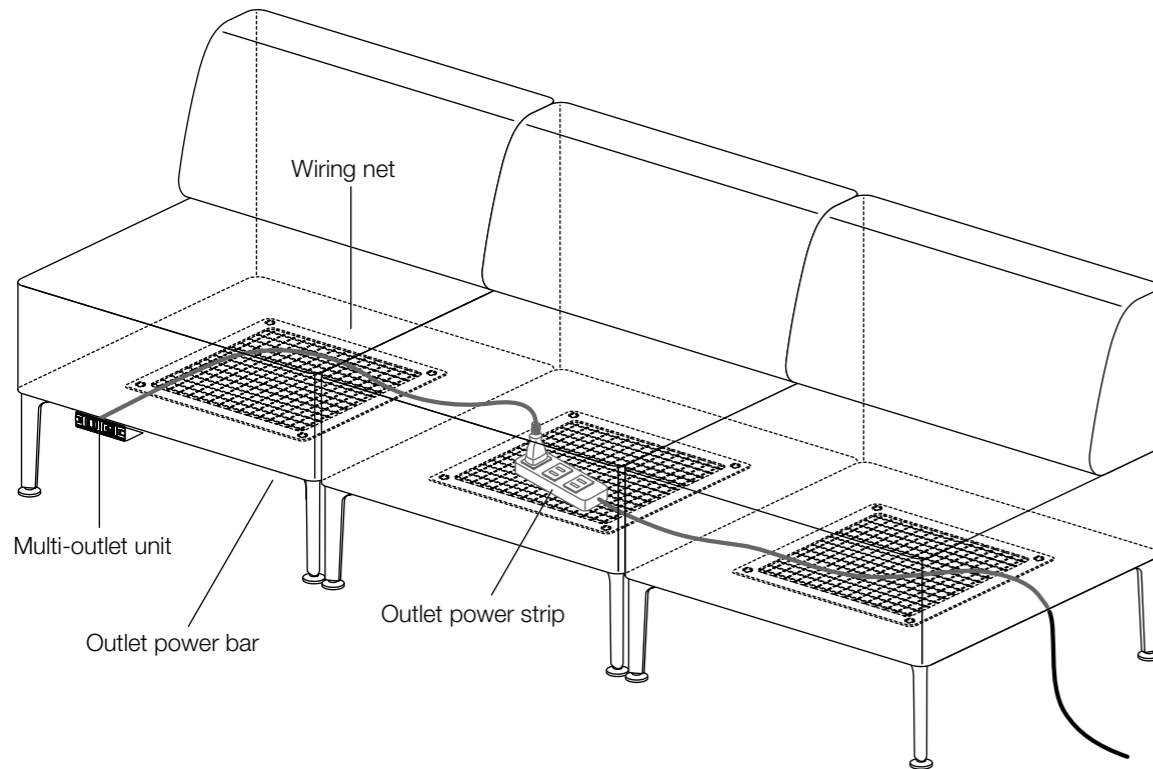
- (1) Pull up the zipper on the rear side of the connected panels to disconnect the panels.
- (2) Remove the connecting brackets at the bottom of the module sofas.

## How to Use the Product

### ■How to use the wiring net (option)

You can store outlet power strips and extra-long cords in the space between the wiring net and the bottom of the modular sofa.

### ■Wiring route diagram



## Instructions to Extend the Life of Product

Please follow the instructions below. Failure may cause damage to the product.  
In that case, Okamura will not take any responsibility or liability for any phenomena caused.

### Operating Precautions and Maintenance

- If the product has become unsteady due to loosening of the bolts or screws during use, retighten them immediately.
- Avoid direct exposure to steam. Failure will cause rust.
- Immediately wipe off tea, coffee, detergent, chemical, etc. if any spilled.
- Wipe off any water on the product with a dry and soft cloth.
- This Instruction Manual is very important, so store it in an easily accessible location.
- Regular maintenance is recommended for long-life use. Please request us early for inspections and repairs (fees required) when the warranty has expired.

### Daily Care Instructions

#### Daily care

- Be sure to use a soft and dry cloth for daily care.

#### Care in case of exceptional dirtiness

- Moisten a soft cloth with thin neutral detergent (1 to 3%), well wring it, and wipe off the dirt. Subsequently, wipe off detergent completely with a dry, soft cloth to dry it.

#### Precautions for daily care

- If you use a commercially available cleaner, make sure to confirm that discoloration or other phenomena will not occur by applying a small amount of the cleaner to an unnoticeable portion in advance.

\* To maintain the upholstery portion...

- After tapping the surface, brush or vacuum the product to remove dust.

## Main Materials and Surface Treatments

### ■ Modular Sofa / Bench

Structural member		Type	Surface finishing
Backrest / Seat	Upholstery	Fabric: Polyester 100%	—
	Cushion	Polyurethane	—
	Core	Lauan plywood	—
Leg		Steel	Amino-alkyd resin coating/chrome plating
Adjuster	Main body / Bottom	Recycled ABS > Recycled ABS<	—
	Shaft	Steel	—

### ■ Panel

Structural member		Type	Surface finishing
Panel	Core	Steel	Amino-alkyd resin coating
	Upholstery	Fabric: Polyester 100%	—
Fixing fittings		Steel	Amino-alkyd resin coating

### ■ Wiring Net

Structural member		Type	Surface finishing
Wire net		Polyester 100%	—

\* Note that the product specifications are subject to change without notice for improvement.